

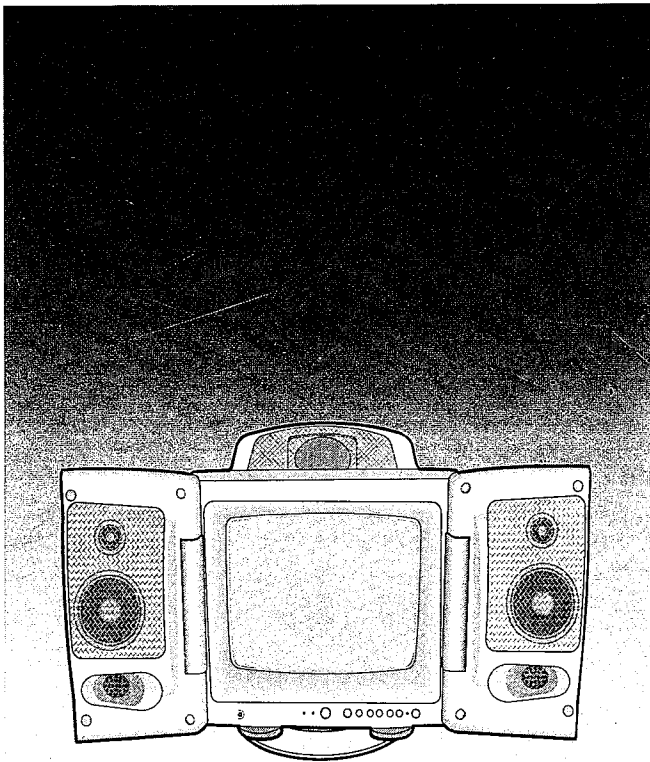
162  
**SAMSUNG**

# COLOR TELEVISION REC

CHASSIS : KG1  
MODEL : GXE1395

# **SERVICE** Manual

## COLOR TELEVISION RECEIVER



## CONTENTS

1. Precautions
2. Specifications
3. Disassembly and Reassembly
4. Alignment and Adjustment
5. Troubleshooting
6. Exploded Views and Parts List
7. Electric Parts List
8. Block Diagram
9. PCB Layout
10. Wiring Diagram
11. Schematic Diagrams

# 1. Precautions

Follow these safety, servicing and ESD precautions to prevent damage and protect against potential hazards such as electrical shock and X-rays.

## 1-1 Safety Precautions

1. Be sure that all of the built-in protective devices are replaced. Restore any missing protective shields.
2. When reinstalling the chassis and its assemblies, be sure to restore all protective devices, including: nonmetallic control knobs and compartment covers.
3. Make sure that there are no cabinet openings through which people--particularly children--might insert fingers and contact dangerous voltages. Such openings include the spacing between the picture tube and the cabinet mask, excessively wide cabinet ventilation slots, and improperly fitted back covers.

If the measured resistance is less than 1.0 megohm or greater than 5.2 megohms, an abnormality exists that must be corrected before the unit is returned to the customer.

4. **Leakage Current Hot Check (Figure 1-1):**  
Warning: Do not use an isolation transformer during this test. Use a leakage-current tester or a metering system that complies with American National Standards Institute (ANSI C101.1, *Leakage Current for Appliances*), and Underwriters Laboratories (*UL Publication UL1410, 59.7*).
5. With the unit completely reassembled, plug the AC line cord directly into the power outlet. With the unit's AC switch first in the ON position and then OFF, measure the current between a known earth ground (metal water pipe, conduit, etc.) and all exposed metal parts, including: antennas, handle brackets, metal cabinets, screwheads and control shafts. The current measured should not exceed 0.5 milliamp. Reverse the power-plug prongs in the AC outlet and repeat the test.

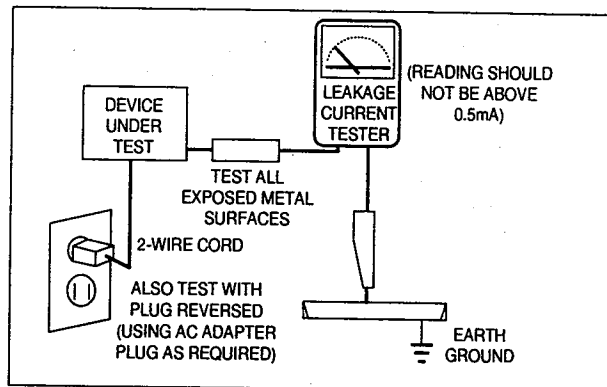
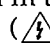
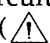


Fig. 1-1 AC Leakage Test

6. **Antenna Cold Check:**  
With the unit's AC plug disconnected from the AC source, connect an electrical jumper across the two AC prongs. Connect one lead of the ohmmeter to an AC prong. Connect the other lead to the coaxial connector.
7. **X-ray Limits:**  
The picture tube is especially designed to prohibit X-ray emissions. To ensure continued X-ray protection, replace the picture tube only with one that is the same type as the original. Carefully reinstall the picture tube shields and mounting hardware; these also provide X-ray protection.
8. **High Voltage Limits:**  
High voltage must be measured each time servicing is done on the B+, horizontal deflection or high voltage circuits. Correct operation of the X-ray protection circuits must be reconfirmed whenever they are serviced. (X-ray protection circuits also may be called "horizontal disable" or "hold-down".)

Heed the high voltage limits. These include the *X-ray Protection Specifications Label*, and the *Product Safety and X-ray Warning Note* on the service data schematic.

## 1-1 Safety Precautions (Continued)

9. High voltage is maintained within specified limits by close-tolerance, safety-related components and adjustments. If the high voltage exceeds the specified limits, check each of the special components.
10. Design Alteration Warning:  
Never alter or add to the mechanical or electrical design of this unit. Example: Do not add auxiliary audio or video connectors. Such alterations might create a safety hazard. Also, any design changes or additions will void the manufacturer's warranty.
11. Hot Chassis Warning:  
Some TV receiver chassis are electrically connected directly to one conductor of the AC power cord. If an isolation transformer is not used, these units may be safely serviced only if the AC power plug is inserted so that the chassis is connected to the ground side of the AC source.  
  
To confirm that the AC power plug is inserted correctly, do the following: Using an AC voltmeter, measure the voltage between the chassis and a known earth ground. If the reading is greater than 1.0V, remove the AC power plug, reverse its polarity and reinsert. Re-measure the voltage between the chassis and ground.
12. Some TV chassis are designed to operate with 85 volts AC between chassis and ground, *regardless of the AC plug polarity*. These units can be safely serviced *only* if an isolation transformer is inserted between the receiver and the power source.
13. Some TV chassis have a secondary ground system in addition to the main chassis ground. This secondary ground system is not isolated from the AC power line. The two ground systems are electrically separated by insulating material that must not be defeated or altered.
14. Components, parts and wiring that appear to have overheated or that are otherwise damaged should be replaced with parts that meet the original specifications. Always determine the cause of damage or overheating, and correct any potential hazards.
15. Observe the original lead dress, especially near the following areas: Antenna wiring, sharp edges, and especially the AC and high voltage power supplies. Always inspect for pinched, out-of-place, or frayed wiring. Do not change the spacing between components and the printed circuit board. Check the AC power cord for damage. Make sure that leads and components do not touch thermally hot parts.
16. Picture Tube Implosion Warning:  
The picture tube in this receiver employs "integral implosion" protection. To ensure continued implosion protection, make sure that the replacement picture tube is the same as the original.
17. Do not remove, install or handle the picture tube without first putting on shatterproof goggles equipped with side shields. Never handle the picture tube by its neck. Some "in-line" picture tubes are equipped with a permanently attached deflection yoke; do not try to remove such "permanently attached" yokes from the picture tube.
18. Product Safety Notice:  
Some electrical and mechanical parts have special safety-related characteristics which might not be obvious from visual inspection. These safety features and the protection they give might be lost if the replacement component differs from the original—even if the replacement is rated for higher voltage, wattage, etc.  
  
Components that are critical for safety are indicated in the circuit diagram by shading, () or (). Use replacement components that have the same ratings, especially for flame resistance and dielectric strength specifications. A replacement part that does not have the same safety characteristics as the original might create shock, fire or other hazards.

## 1-2 Servicing Precautions

**WARNING1:** First read the "Safety Precautions" section of this manual. If some unforeseen circumstance creates a conflict between the servicing and safety precautions, always follow the safety precautions.

**WARNING2:** An electrolytic capacitor installed with the wrong polarity might explode.

1. Servicing precautions are printed on the cabinet. Follow them.
2. Always unplug the unit's AC power cord from the AC power source before attempting to: (a) Remove or reinstall any component or assembly, (b) Disconnect an electrical plug or connector, (c) Connect a test component in parallel with an electrolytic capacitor.
3. Some components are raised above the printed circuit board for safety. An insulation tube or tape is sometimes used. The internal wiring is sometimes clamped to prevent contact with thermally hot components. Reinstall all such elements to their original position.
4. After servicing, always check that the screws, components and wiring have been correctly reinstalled. Make sure that the portion around the serviced part has not been damaged.
5. Check the insulation between the blades of the AC plug and accessible conductive parts (examples: metal panels, input terminals and earphone jacks).
6. Insulation Checking Procedure: Disconnect the power cord from the AC source and turn the power switch ON. Connect an insulation resistance meter (500V) to the blades of the AC plug.  
  
The insulation resistance between each blade of the AC plug and accessible conductive parts (see above) should be greater than 1 megohm.
7. Never defeat any of the B+ voltage interlocks. Do not apply AC power to the unit (or any of its assemblies) unless all solid-state heat sinks are correctly installed.
8. Always connect a test instrument's ground lead to the instrument chassis ground *before* connecting the positive lead; always remove the instrument's ground lead last.

## 1-3 Precautions for Electrostatically Sensitive Devices (ESDs)

1. Some semiconductor ("solid state") devices are easily damaged by static electricity. Such components are called Electrostatically Sensitive Devices (ESDs); examples include integrated circuits and some field-effect transistors. The following techniques will reduce the occurrence of component damage caused by static electricity.
2. Immediately before handling any semiconductor components or assemblies, drain the electrostatic charge from your body by touching a known earth ground. Alternatively, wear a discharging wrist-strap device. (Be sure to remove it prior to applying power--this is an electric shock precaution.)
3. After removing an ESD-equipped assembly, place it on a conductive surface such as aluminum foil to prevent accumulation of electrostatic charge.
4. Do not use freon-propelled chemicals. These can generate electrical charges that damage ESDs.
5. Use only a grounded-tip soldering iron when soldering or unsoldering ESDs.
6. Use only an anti-static solder removal device. Many solder removal devices are not rated as "anti-static"; these can accumulate sufficient electrical charge to damage ESDs.
7. Do not remove a replacement ESD from its protective package until you are ready to install it. Most replacement ESDs are packaged with leads that are electrically shorted together by conductive foam, aluminum foil or other conductive materials.
8. Immediately before removing the protective material from the leads of a replacement ESD, touch the protective material to the chassis or circuit assembly into which the device will be installed.
9. Minimize body motions when handling unpackaged replacement ESDs. Motions such as brushing clothes together, or lifting a foot from a carpeted floor can generate enough static electricity to damage an ESD.

# MEMO

## 2. Specifications

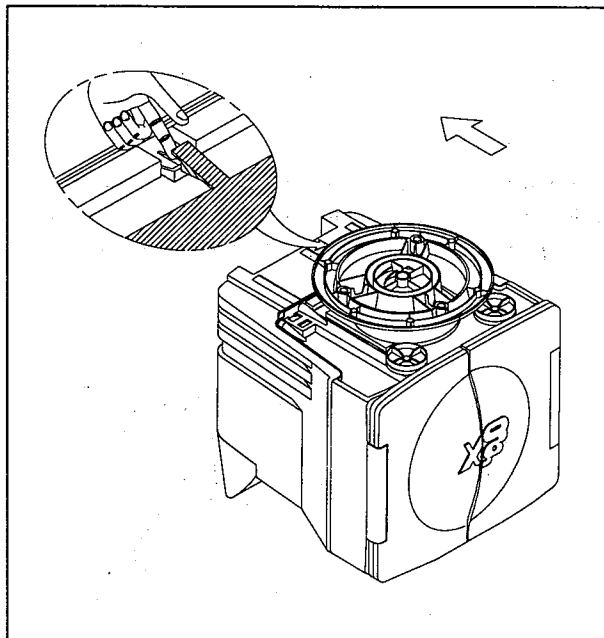
Television System	13" NTSC COLOR TV SIGNAL
Power Consumption	13" : 75 WATTS NOMINAL
Picture Tube	13" : A34KQV42X
Power Requirement	AC 120V, 60Hz
Operating System	REMOCON SYSTEM (SZM-282EGT)
Tuning Range	VHF CH : 2-13, UHF CH : 14-69, CABLE CH : 1,14-125
Antenna Input Impedance	75 ohm UNBALANCED TYPE FOR VHF/UHF, 75 ohm UNBALANCED TYPE FOR VIDEO GAME PLAYER 3CH, 4CH
Intermediate Frequency	PICTURE 45.75MHz, SOUND 41.25MHz, COLOR SUB CARRIER 42.17MHz
Speaker Impedance	Main : 16 ohm 5W Woofer : 4 ohm 20W

# MEMO

## 3. Disassembly and Reassembly

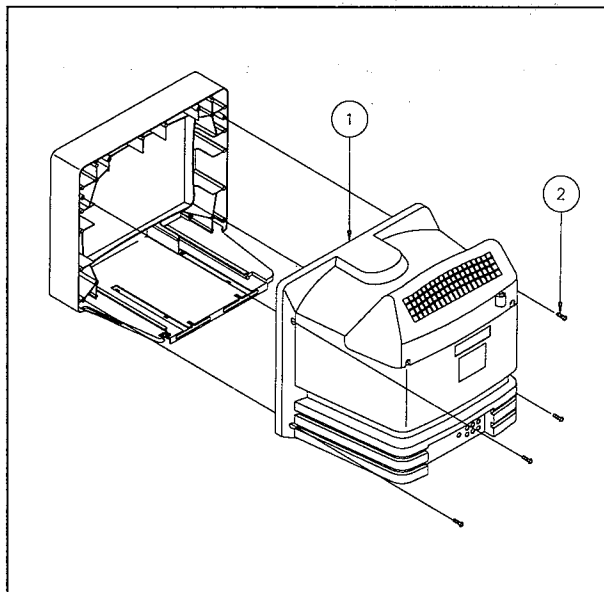
### 3-1 Swivel Removal

1. Place the TV set upside down.
2. Unlock the tab and slide out the swivel in the direction of the arrow.



### 3-2 Back Cover Removal

1. Remove the 4 screws located on the side of the back cover.
2. Remove the screws from A/V Jack.
3. Pull the cover backwards to remove.
4. Separate the inside woofer connector.

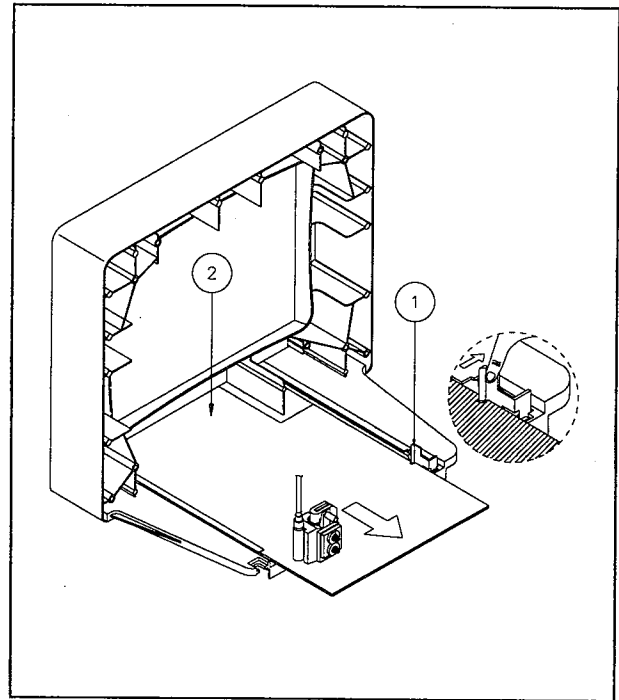
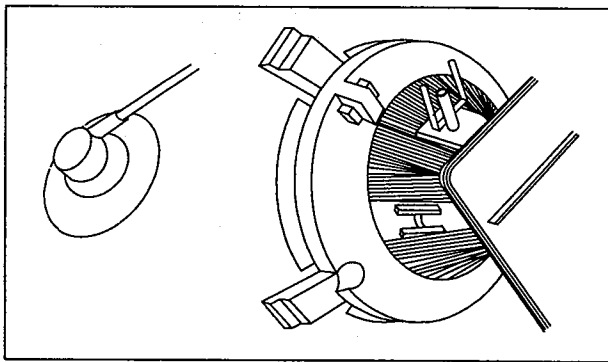




### 3-3 Main Board Removal

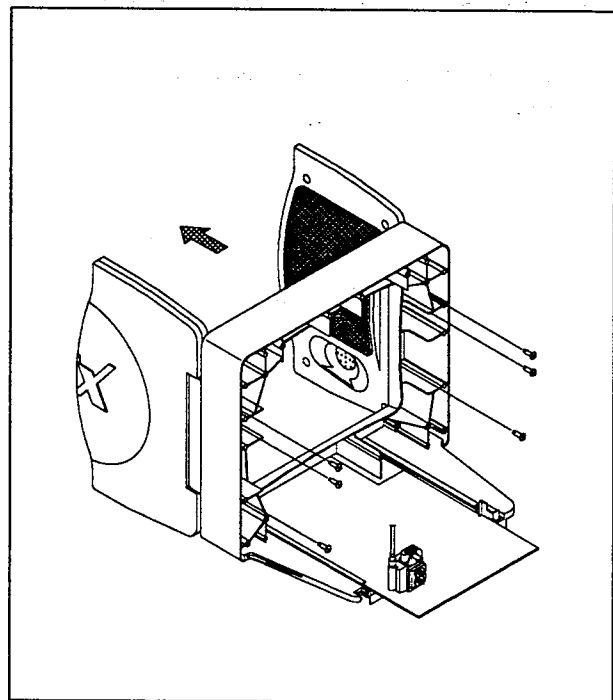
1. Carefully separate the CRT socket board from the CRT neck.
2. Remove the Anode Cap from the CRT.
3. After pressing the Main Board Stopper, remove the main board by pulling it backwards with both hands.

**WARNING : The FBT is charged with high voltage. Before removing the Anode Cap, discharge the voltage through one of the heat sinks on the Main Board.**



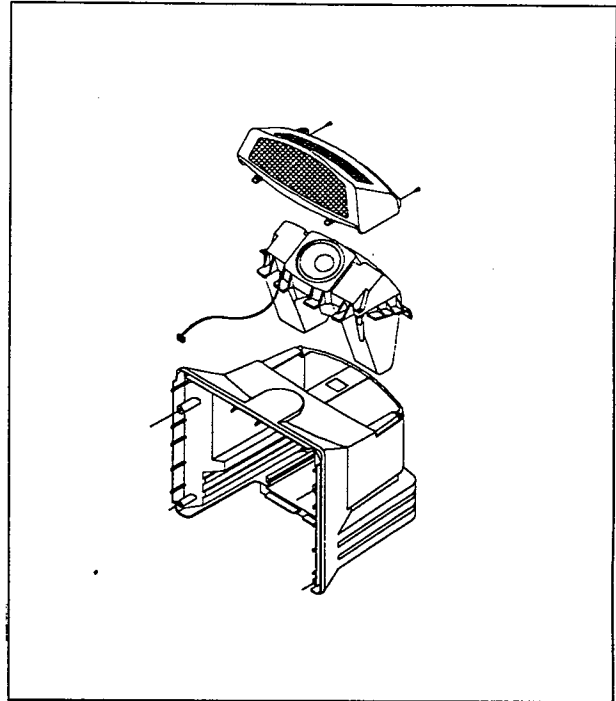
### 3-4 Front Speaker Removal

1. Remove the 6 screws located on the left and right sides of the front cover.
2. Pull the front speaker in the direction of the arrow to remove.



### 3-5 Woofer Speaker Removal

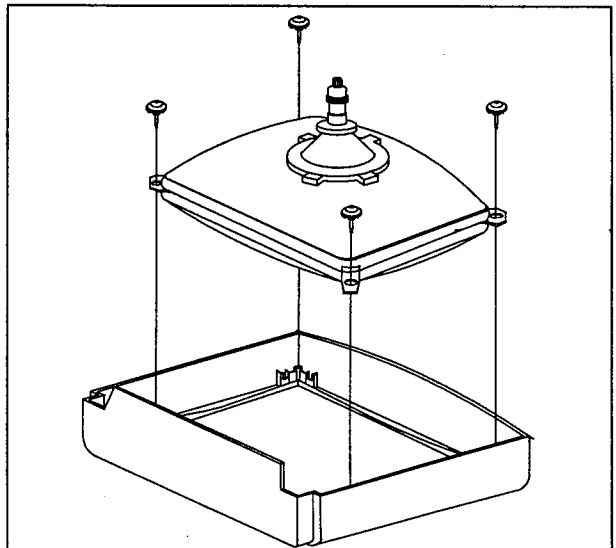
1. Remove the 2 screws located on the back of the Cabinet-Top.
2. After separating the Cabinet-Top, remove the woofer speaker.



### 3-6 CRT Removal

1. Spread a soft mat on the floor. Place the TV set face down.
2. Remove the 4 nuts mounting the CRT to the front cabinet. Lift the CRT.

**Caution :** Due to the high vacuum and large surface area of the picture tube, great care must be exercised when handling: (1) Always lift the picture tube by grasping it firmly around the faceplate, (2) Never lift the tube by its neck. The picture tube must not be scratched or subjected to excessive pressure. Fractures of the glass may cause an implosion.



# MEMO

## 4. Alignment and Adjustments

### 4-1 Service Mode Adjustments

#### 4-1-1 Service Mode Menus

Since there are no VRs in the KG1 chassis, all adjustments after parts replacement must be done in the Service Mode. Service Mode adjustments are necessary when either the EEPROM (IC902) or the CRT is replaced.

#### 4-1-2 Entering the Service Mode

Press the following transmitter keys while in STAND-BY mode:

MUTE → 1 → 8 → 2 → POWER  
 "Factory Mode Menu" is displayed

ADJUSTMENT	←-selected (Black)
TEST PATTERN	
SET OPTION BYTE	
FACTORY RESET	

Enter Service Mode using the Volume +,- keys. Service Mode Menu:

AGC	XX	SB	XX
VCO	XX	VA	XX
SC	XX	VS	XX
SR	XX	HS	XX
ST	XX		
SS	XX		
RC	XXX		
GC	XXX		
BC	XXX		
GG	XXX		
BG	XXX		
		SVC : MUTE	

Select a mode to be adjusted, using the channel down key. Example: VCO.

AGC	XX	SB	XX
VCO	XX	VA	XX
SC	XX	VS	XX
SR	XX	HS	XX
ST	XX		
SS	XX		
RC	XXX		
GC	XXX		
BC	XXX		
GG	XXX		
BG	XXX		
		SVC : MUTE	

Change the data with "Volume +,-" keys.

VCO	71
-----	----

Return to the Service mode by pressing MENU.

AGC	XX	SB	XX
VCO	XX	VA	XX
SC	XX	VS	XX
SR	XX	HS	XX
ST	XX		
SS	XX		
RC	XXX		
GC	XXX		
BC	XXX		
GG	XXX		
BG	XXX		
		SVC : MUTE	

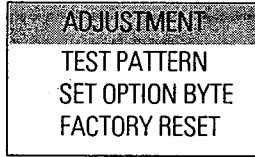
Return to the Factory mode by Re-pressing MENU.

ADJUSTMENT
TEST PATTERN
SET OPTION BYTE
FACTORY RESET

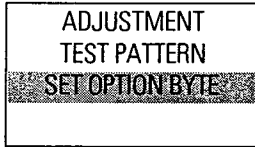
Press POWER to enter the Stand-by mode.

### 4-1-3 Adjustment in Option Mode

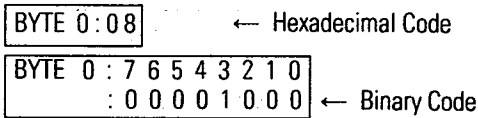
This adjustment is necessary whenever the EEPROM (IC902) is replaced. The Option Bytes initial value is 08 (hexadecimal Code).



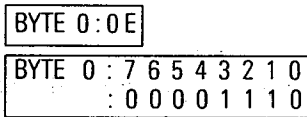
Select "SET OPTION BYTE" by pressing the Channel ▼ key twice.



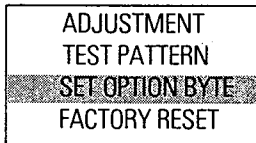
Press the Volume +/- keys to enter the Set Option mode.



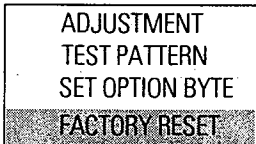
Press the Volume "+" key to increase and press the Volume "-" key to decrease. Example Volume "+" key



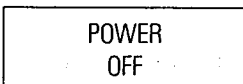
Press MENU to return to the factory mode.



Select "Factory Reset" using the channel ▼ key.



Press the volume "+" key.



#### 4-1-4 Service Mode Adjustments

ADJUSTMENT TEST PATTERN SET OPTION BYTE FACTORY RESET
--

1. The "Test Pattern" Adjustment is done only in the factory. Do not attempt to readjust it.
2. Refer to 4-2 for other adjustments.
3. "SET OPTION BYTE"  
Adjustment should be set to the factory-preset values

#### 4-1-5 Service Mode Adjustment Values

No	Item	Function	Range	Initialized MICOM Data
1	AGC	RF AGC Adjustment	0 ~ 63	40
2	VCO	PIF VCO Adjustment	0 ~ 127	63
3	SC	SUB-CONTRAST Adjustment	0 ~ 63	15
4	SR	SUB-COLOR Adjustment	0 ~ 27	4
5	ST	SUB-TINT Adjustment	0 ~ 27	19
6	SS	SUB-SHARPNESS Adjustment	0 ~ 31	25
7	RC	RED-CUT OFF Adjustment	0 ~ 255	0
8	GC	GREEN-CUT OFF Adjustment	0 ~ 255	0
9	BC	BLUE-CUR OFF Adjustment	0 ~ 255	0
10	GG	GREEN-GAIN Adjustment	0 ~ 255	90
11	BG	BLUE-GAIN Adjustment	0 ~ 255	140
12	SB	SUB-BRIGHTNESS Adjustment	0 ~ 63	25
13	VA	VERTICAL SIZE Adjustment	0 ~ 63	38
14	VS	VERTICAL CENTER Adjustment	0	0
15	HS	HORIZONTAL PHASE Adjustment	0 ~ 31	17
16	SVC	Input a Horiz Line Pattern		

Note : These are the initial MICOM data values when IC902 is replaced.


## 4-2 Alignment and Adjustment

### 4-2-1 General Alignment Instructions

1. Usually, a color TV needs only slight touch-up adjustment upon installation. Check the basic characteristics such as picture height, focus and a horizontal and vertical sync.
2. Observe the picture and check for good back and white details; there should be no objectionable color shading. If color shading is present, demagnetize the receiver. If color shading persists, perform purity and convergence adjustments described below.
3. To protect against shock hazard, use an isolation transformer.

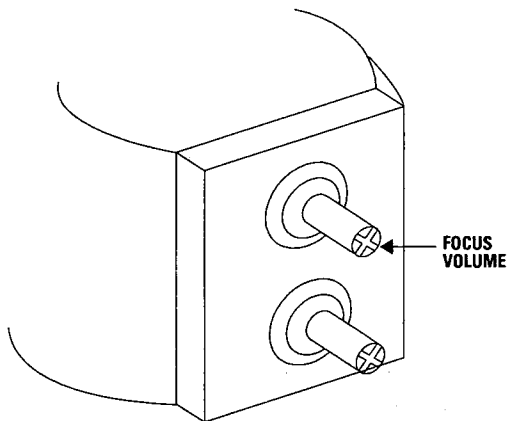
### 4-2-2 Power Supply Check

Check the following :

- A: "Stand-by" mode (power cord is connected).
- B: Power On ("Power ON" button is pressed).
- C: Power On (FBT).  
Each supply is marked on its lead-in wire.  
(  )

### 4-2-3 Focus Adjustment

Adjust the focus control on the FBT for well defined scanning lines on the picture screen.



### 4-2-4 Fail Safe Circuit Check (FS)

1. The failsafe check must be the final step in servicing.
2. Turn the power switch ON and adjust customer controls for normal operation.
3. Temporarily short Pin X to Pin R on the main board (RX05, RX04) with a jumper wire. Raster will disappear.
4. The TV must remain in this state even after removing the jumper wire. This shows that the failsafe circuit is working properly.
5. To recover picture and sound, temporarily turn off the TV and allow the failsafe circuit more than 30 seconds to reset. Then switch power ON to produce normal picture and sound.

### 4-2-5 IC902 Replacement

1. When IC902 is replaced, all values are reset to "Initialized MICOM Data" and readjustment is necessary.
2. Press POWER button 10 seconds after plug-in.
3. To enter the Service Mode, refer to 4-1 (Service Mode Adjustment).

### 4-2-6 PIF VCO Adjustment

1. Without connecting an antenna to the tuner, input 45.75MHz IF signal to C151( IF ). Use a pattern generator.
2. Adjust VCO in the Service Mode. Set IC201 Pin 44 (AFT) to 2.5V.

### 4-2-7 RF-AGC Adjustment

1. Input a Color Bar pattern.
2. Enter into the AGC in the Service Mode.
3. Adjust AGC until color bar noise disappears.

**4-2-8 Sub-Contrast Adjustment**

1. Enter SC while in the Service Mode.
2. Set SC to 15.

**4-2-9 Sub-Tint Adjustment**

1. Enter ST while in the Service Mode.
2. Set ST to 16.

**4-2-10 Sub-Color Adjustment**

1. Enter SR while in the Service Mode.
2. Set SR to 5.

**4-2-11 White Balance Adjustment**

Low-Light Adjustments:

1. Input a "pure white" color pattern.
2. Warm up the receiver for 30 minutes.
3. Check and set the data in the Service Mode:  
RC, GC, BC are 0. SB is 25;  
Steps BG and GG are 127.
4. Enter the Horizontal Line mode by pressing the MUTE key.
5. Adjust the screen VR on the FBT until a dim colored line (red, green or blue) appears on the screen.
6. Adjust RC, BC, GC so the dim colored line becomes white.
7. Exit the Horizontal Line via the MUTE key.

High Light Adjustments:

1. After making the low-light adjustments, input a 5-step staircase pattern.
2. Adjust GG, BG in the Service Mode.
3. Check "Pure White" in the high-light.
4. Recheck in low light.

**4-2-12 Sub-Brightness Adjustment**

1. Input a 10-step staircase pattern.
2. Warm up the receiver for 10 minutes.
3. Enter into the Service Mode and set SB to the point which is sectioned with 10 steps on the screen.

**4-2-13 Vertical Size Adjustment**

1. After the vertical center adjustment, enter into the Service Mode.
2. Adjust VA so that the vertical size is over scanned about 10% on the screen.

**4-2-14 Horizontal Shift Adjustment**

1. Enter into the Service Mode.
2. Adjust HS so that the picture is centralized

**4-2-15 When CRT Is Replaced**

Do the following adjustments after the basic purity adjustments and convergence adjustment.

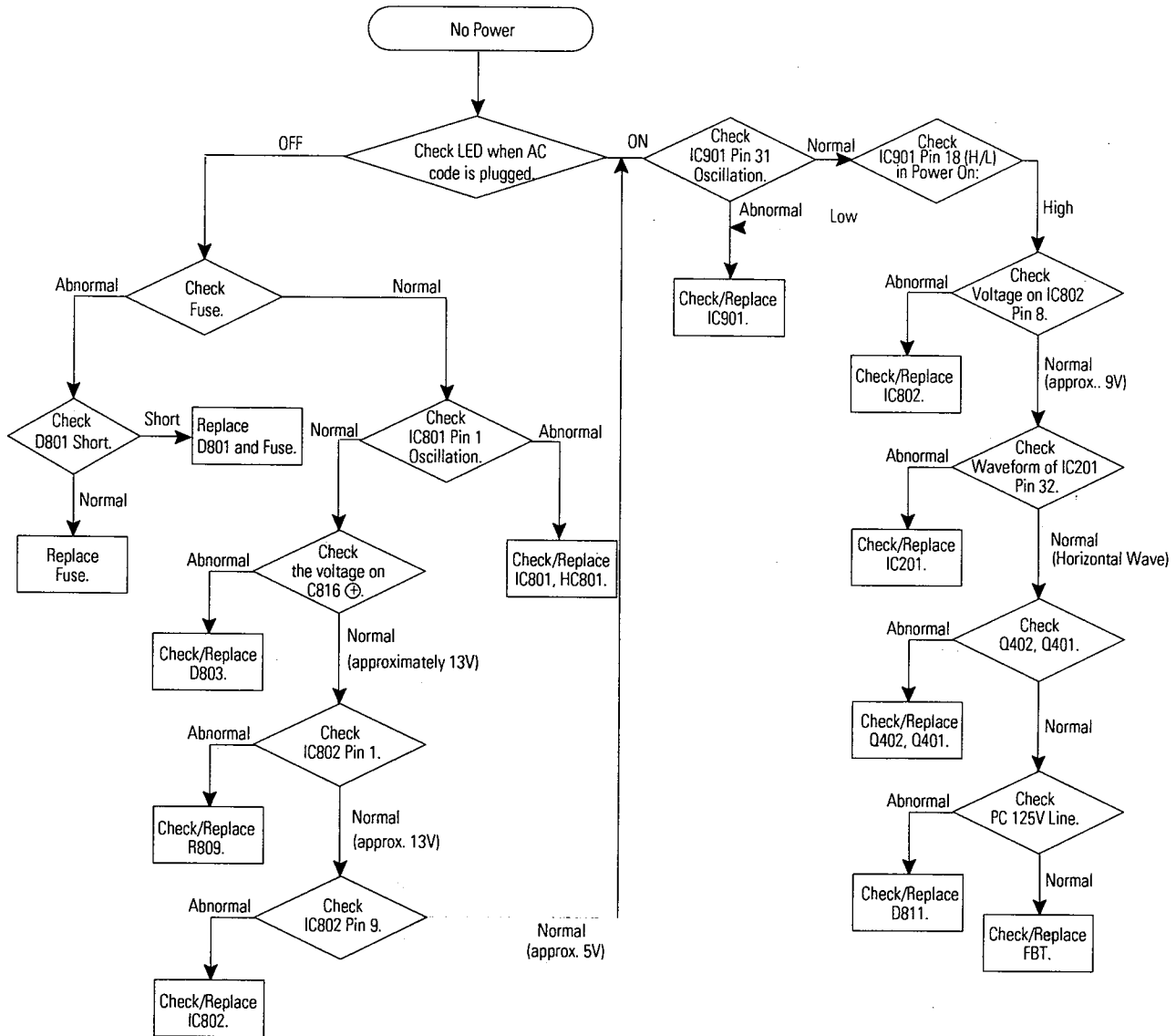
1. White Balance Adjustment
2. Sub-brightness Adjustment
3. Vertical Size Adjustment
4. Horizontal Shift Adjustment
5. Fail Safe adjustment (Note: Do the Fail Safe adjustment as the final step).



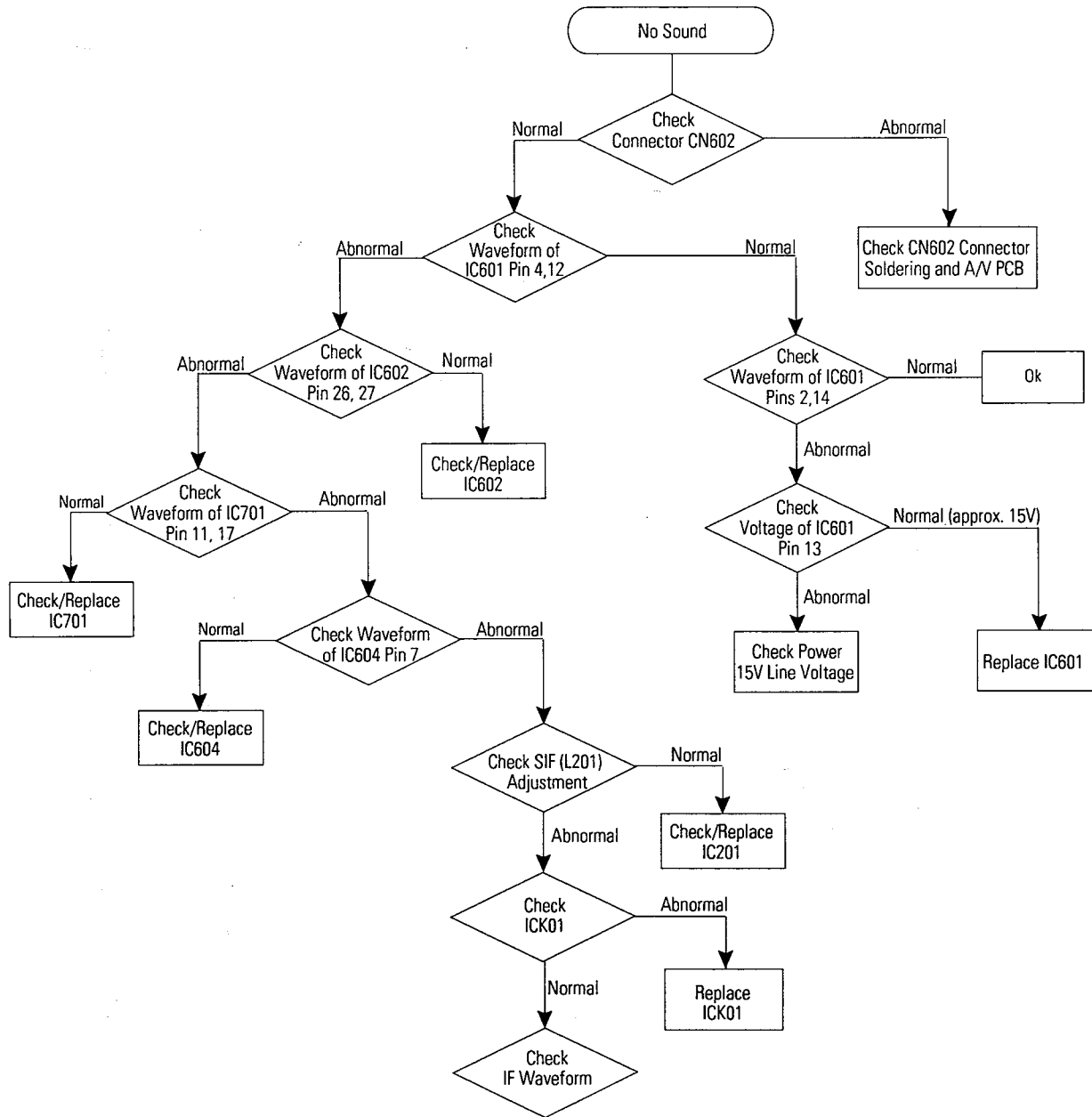
# MEMO

# 5. Troubleshooting

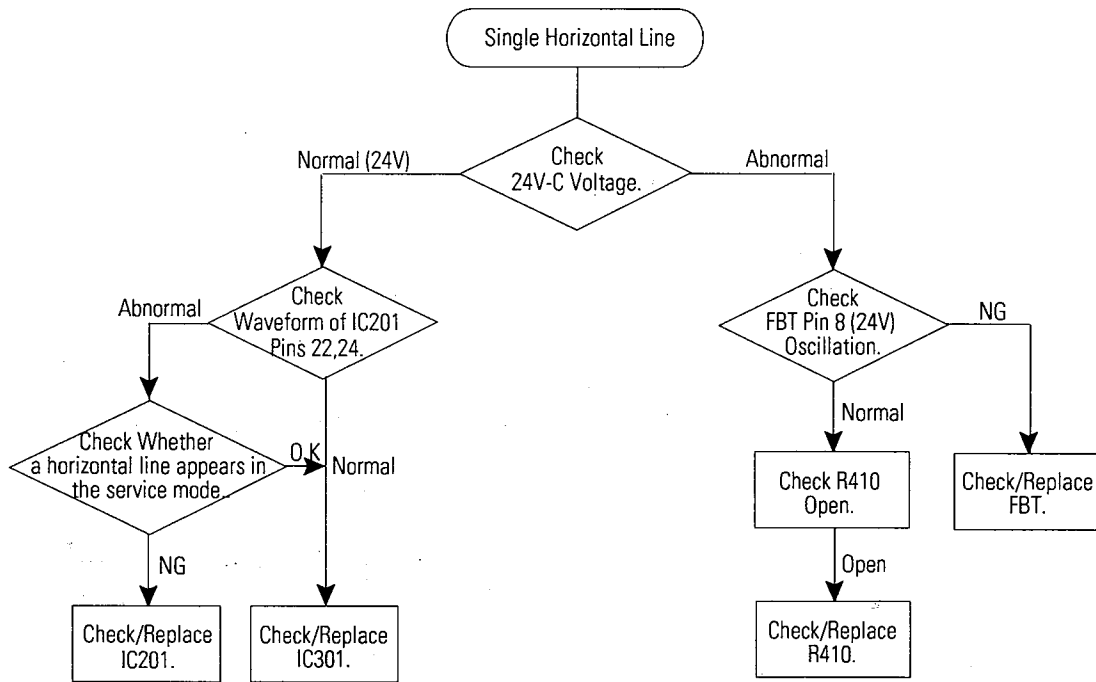
## 5-1 No Power



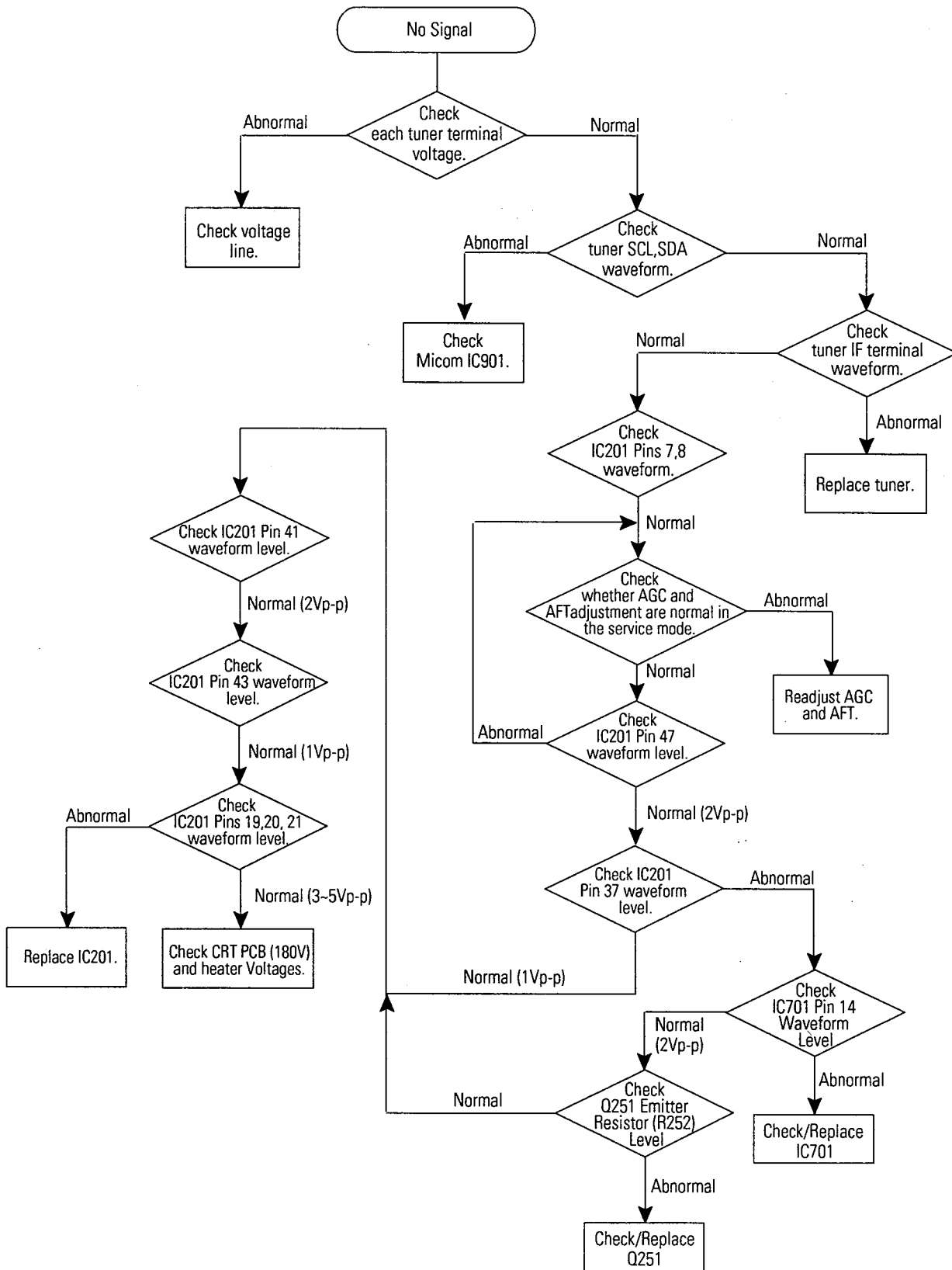
## 5-2 No Sound



### 5-3 Horizontal Line Appears

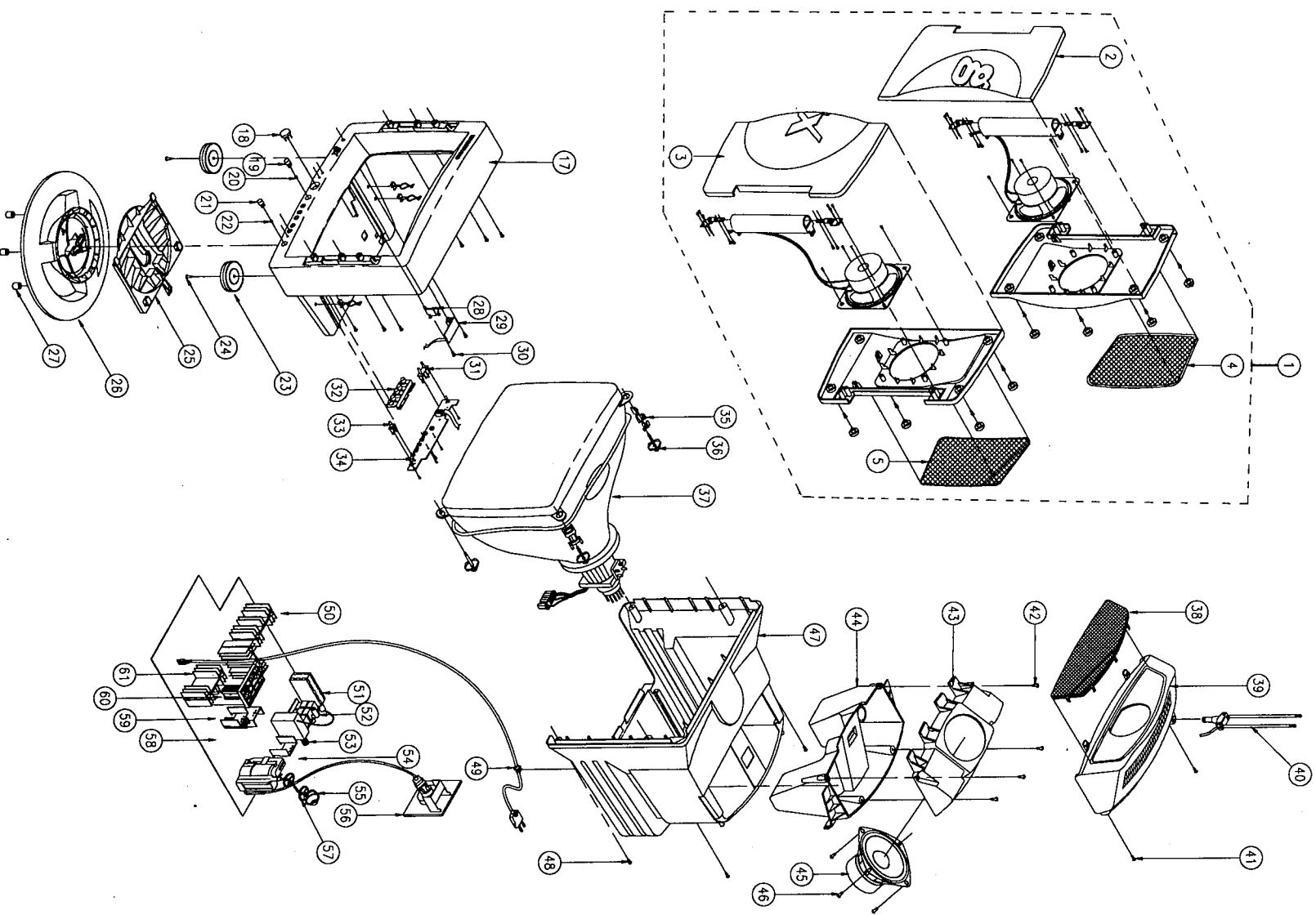


## 5-4 No Signal



## 6. Exploded View and Parts List

### GXE1395/U CX



No	New Code No.	Old Code No.	Description	Specification	Qty	Remarks
1	*AA92-80101A		ASSY-HOLDER, SPK	DP, ABS, VO, WP100016H5W, T1L	1	
2	AA61-40051A	33093-0016-000	HINGE-ASSY, L	ZUD0BF, 3374G	1	
3	AA61-40050A	33093-0015-000	HINGE-ASSY, R	ZUD0BF, 3374G	1	
4	AA63-50199A	34003-0097-000	GRILLE-WOOFER, L	SECC, T0.5, 3374G	1	
5	AA63-50198A	34003-0096-000	GRILLE-WOOFER, R	SECC, T0.5, 3374G	1	
17	*AA92-30155A		ASSY-CABINET, FRONT	GXE1395/U CX	1	
18	AA64-40253A	34073-0108-000	CABINET-FRONT	DP, HIPS, VO, BLK, WP1000	1	
19	AA64-10364A	34083-0244-000	WINDOW-REMOON	ABS, HB, 3374G	1	
20	AA61-60003U	36674-142-920	KNOB-MENU	ABS, HB, BLK, 3374G	1	
21	AA64-10363A	34083-0242-000	SPRING-CS	SUS304, 0.4, C05, 5, H12	1	
22	AA61-60003U	34083-0242-000	KNOB-POWER	ABS, HB, BLK, 3374G	1	
23	AA64-80020A	36674-142-920	SPRING-CS	SUS304, 0.4, C05, 5, H12	1	
24	6002-000507	33003-0019-000	LEG-BOTTOM	HIPS, VO, BLK, 3374G	2	
25	AA61-10362A	37148-530-121	SCREW-TAPPING	RH, 2, M4, L12, ZPC(YEL)SW	2	
26	*AA91-70055A		BRACKET-STAND	SECC, T1.6, BLK, 3374G	1	
27	AA60-10002A	37144-001-210	ASSY-STAND	DP, AA91-70054A, 3374G	1	
28	AA61-40053A	33383-0004-000	SCREW-TAPPING	RH, M4, L12, ZPC(YEL)CD	1	
29	*AA97-90003A		STOPPER-POB	HIPS, HB, WHI, ALL, MODEL	3	
30	6002-000514	37148-540-153	ASSY-POB, F/AV	DP, GXE1395/U CX, KGI	1	
31	AA59-60002B	A1294-0063	SCREW-TAPPING	RH, 2, M4, L15, ZPC(BLK), SW	2	
32	AA64-10616A		MODULE-REMOON	ORC----50HF, 38KHZ, 940MM, ME	1	
33	AA64-40257A	34164-0083-000	KNOB-CONTROL	DP, AA64-10361A, 3374	1	
34	*AA97-80003A		INDICATOR-LED, S	ABS, HB, 3374G	1	
35	AA65-30016A	33609-101-003	ASSY-POB, CONTROL	KGI, GXE1395, SMX, SEA	1	
36	AA60-10017A	36635-001-910	SWITCH-TACT	12V, 50MA, 90-150GF, 6X6MM, S	7	
37	AA03-10001D	37124-100-830	CLAMP-D, COIL	NYLON, VO, NTR, DADH-360	2	
38	AA63-50200A	32019-400-083	SCREW-ASSY(CRT+CF)	WC, RH, M5, L35, SHRCH18A	4	
39	AA64-30698A	34003-0119-000	CRT-COILDR	A34KOV42X, +380MG, 14*, 90	1	
40	AA42-10001Q	32001-0249-000	GRILLE-WOOFER, T	SECC, T0.5, PA110	1	
41	6002-000514	34509-223-022	CABINET-TOP	HIPS, VO, BLK, 3374G	1	
42	6002-000514	37148-540-153	ANT-ROD	DP, 4S, 500MM, MT, UL	1	
43		37148-540-153	SCREW-TAPPING(TC+CB)	RH, 2, M4, L15, ZPC(BLK), SW	2	
44	*AA63-30154A		SCREW-TAPPING	RH, 2, M4, L15, ZPC(BLK), SW	4	
45			COVER	DP, AA63-30105A	1	
46	6002-000514	37148-540-153	COVER-TOP, ASSY		1	
47	AA64-30916A		SPEAKER-GENERAL	RH, 2, M4, L15, ZPC(BLK), SW	4	
48	6002-000514	37148-540-153	SCREW-TAPPING	DP, VO, AA64-30701A	1	
49	AA39-10002X	A6006-0253	CABINET-BACK	RH, .2, M4, L15, ZPC(BLK)SW	4	
50	*AA96-60363A		POWER-CORD	KJ-10, SPT2, 2, 4MM, HOUS, UL	1	
51	AA40-10005A	A3040-0198	ASSY-H/S, SOUND(I, CB01)	TDA7266	1	
52	3722-000499	A3040-0198	TUNER-F/S	TECC1880PK25B, NTSC/USA	1	
53	AA59-40002F	37179-0006-000	JACK-RCA	9P(S), SN	1	
54	*AA96-60042A	3Y82-20068-010	MODULE-RF S/W	2GR-10UT, NTSC, USA	1	
55	AA26-30002T	A1201-0059	ASSY-H/S, VERT(QA01)	KSD5071VD	1	
56	3704-000102	A3047-0021	TRANS-FLY BACK	FCK-14B044, 14*, 125V	1	
57	AA65-30002A	33333-0005-010	SOCKET-CRT	10P, 22, 5P, 14, 3P1, SN	1	
58	*AA97-10031D	36633-101-911	CLAMP-FBT	NYLON-66, VO, BLK	1	
59	*AA96-60368A		CLAMP-FBT	ABS, VO, BLK	1	
60	*AA96-60365A		ASSY-POB, MAIN	TXE1395/U CX, KGI, USA	1	
61	*AA96-60364A		ASSY-H/S, POWER(IC802)	KA7631 SIP	1	
			ASSY-H/S, TR(D810)	FML-G22S 200V	1	
			ASSY-H/S, POWER(IC801)	STR86707 CO	1	



## 7. Electrical Parts List

### 7-1.GXE1395/UCX

Loc No	New Code No	Old Code No	Description	Specification	Remarks
			ASSY-PCB,MAIN(COM)		
	*AA97-10031D		ASSY-PCB,MAIN(COM)	TXE1395/UCX,KG1,USA	
PCB	AA41-10472A	36029-0554-000	PCB-MAIN	KG1,1,FR-1,330X245X1.6T	BARE PCB
C/FBT	AA65-30002A	33333-0005-010	CLAMP-FBT	- ,NYLON-66,V0,BLK,-,-	
C/FBT	AA65-30009A	36633-101-911	CLAMP-FBT	- ,ABS,V0,BLK,-,-	
C101	2202-000127	A1100-0803	C-CERAMIC,MLC-AXIAL	10NF,+80-20%,25V,Y5V,-,7.	
C102	31607-402-220		C-ELECTROLYTIC	CE04W TAPG 50V 2.2M	
C104	2202-000127	A1100-0803	C-CERAMIC,MLC-AXIAL	10NF,+80-20%,25V,Y5V,-,7.	
C107	2401-000832	31607-401-690	C-AL	220UF,20%,25V,GP,8X11MM,5	
C108	2401-000480	31607-402-250	C-AL	10UF,20%,50V,GP,5X11MM,5M	
C109	2401-001530	31607-401-670	C-AL	47UF,20%,25V,GP,5X11MM,5M	
C110	2401-000269	31607-401-470	C-AL	100UF,20%,16V,GP,6X11MM,5	
C151	2202-000173	A1100-0338	C-CERAMIC,MLC-AXIAL	1NF,10%,50V,Y5P,1.9X3.5MM	
C152	2202-000127	A1100-0803	C-CERAMIC,MLC-AXIAL	10NF,+80-20%,25V,Y5V,-,7.	
C153	2202-000127	A1100-0803	C-CERAMIC,MLC-AXIAL	10NF,+80-20%,25V,Y5V,-,7.	
C154	2202-000127	A1100-0803	C-CERAMIC,MLC-AXIAL	10NF,+80-20%,25V,Y5V,-,7.	
C201	2201-000292	31417-104-400	C-CERAMIC,DISC	1NF,10%,50V,Y5P,5*4,5MM,T	
C202	31607-402-200		C-ELECTROLYTIC	CE04W TAPG 50V 0.47M	
C203	2401-001495	31607-401-460	C-AL	47UF,20%,16V,GP,5X11MM,5M	
C204	2301-000201	31507-127-002	C-FILM,PEF	2.2NF,5%,50V,7.4X3.9X13MM	
C205	31607-402-200		C-ELECTROLYTIC	CE04W TAPG 50V 0.47M	
C206	2301-000224	31507-127-008	C-FILM,PEF	22NF,5%,50V,7.4X3.9X13MM,	
C207	31607-402-200		C-ELECTROLYTIC	CE04W TAPG 50V 0.47M	
C209	2306-000122	B1102-0318	C-FILM,MPPF	100NF,5%,50V,7.3X4.0X5.0M	
C210	2306-000122	B1102-0318	C-FILM,MPPF	100NF,5%,50V,7.3X4.0X5.0M	
C211	2306-000122	B1102-0318	C-FILM,MPPF	100NF,5%,50V,7.3X4.0X5.0M	
C212	2202-000127	A1100-0803	C-CERAMIC,MLC-AXIAL	10NF,+80-20%,25V,Y5V,-,7.	
C213	2201-000193	31407-105-090	C-CERAMIC,DISC	10PF,0.25PF,50V,NPO,-,5MM	
C214	2401-000620	31607-402-580	C-AL	2.2UF,10%,50V,GP,5X11MM,5	
C215	2401-000269	31607-401-470	C-AL	100UF,20%,16V,GP,6X11MM,5	
C218	2301-000181	31507-127-018	C-FILM,PEF	18NF,5%,50V,7.1X3.5X13MM,	
C219	2401-000620	31607-402-580	C-AL	2.2UF,10%,50V,GP,5X11MM,5	
C220	2401-000480	31607-402-250	C-AL	10UF,20%,50V,GP,5X11MM,5M	
C221	2401-000480	31607-402-250	C-AL	10UF,20%,50V,GP,5X11MM,5M	
C222	2306-000122	B1102-0318	C-FILM,MPPF	100NF,5%,50V,7.3X4.0X5.0M	
C223	2201-000354	31407-057-200	C-CERAMIC,DISC	20PF,5%,50V,NPO,5.0*3.0,2	
C225	2401-000480	31607-402-250	C-AL	10UF,20%,50V,GP,5X11MM,5M	
C226	2401-000603	31607-402-210	C-AL	1UF,20%,50V,GP,5X11MM,5MM	
C227	2306-000122	B1102-0318	C-FILM,MPPF	100NF,5%,50V,7.3X4.0X5.0M	
C231	2401-001495	31607-401-460	C-AL	47UF,20%,16V,GP,5X11MM,5M	
C232	2401-000808	31607-401-480	C-AL	220UF,20%,16V,GP,8X11MM,5	
C234	2202-000279	A1100-0796	C-CERAMIC,MLC-AXIAL	47PF,5%,50V,SL,3.5X19MM,-	
C235	2202-000127	A1100-0803	C-CERAMIC,MLC-AXIAL	10NF,+80-20%,25V,Y5V,-,7.	
C236	2202-000127	A1100-0803	C-CERAMIC,MLC-AXIAL	10NF,+80-20%,25V,Y5V,-,7.	
C237	2202-000154	A1100-0799	C-CERAMIC,MLC-AXIAL	150PF,10%,50V,Y5P,-,-,TP	
C251	2401-000480	31607-402-250	C-AL	10UF,20%,50V,GP,5X11MM,5M	
C301	2301-000310	31507-127-011	C-FILM,PEF	68NF,5%,50V,8.0X8.5X4.0X5	
C302	2301-000226	31507-137-017	C-FILM,PEF	27NF,5%,100V,7.3X4X12.5MM	
C303	2201-000161	31417-109-140	C-CERAMIC,DISC	10NF,+80-20%,500V,Y5V,10X	
C304	2401-000553	31607-402-570	C-AL	1UF,10%,50V,GP,5X11MM,5MM	
C305	2305-000427	A1102-0299	C-FILM,MPEF	47NF,5%,100V,7.5X12.5X3.5	
C306	2401-000360	31607-402-290	C-AL	100UF,20%,50V,GP,8X11MM,5	
C307	2305-000470	A1102-0300	C-FILM,MPEF	68NF,5%,100V,-,5MM,TP	



Loc No	New Code No	Old Code No	Description	Specification	Remarks
C308	2201-000556	31417-106-090	C-CERAMIC,DISC	470PF,10%,500V,Y5P,6X3.5M	
C309	2401-000175	31607-402-710	C-AL	1000UF,20%,35V,GP,13X25MM	
C310	2401-000480	31607-402-250	C-AL	10UF,20%,50V,GP,5X11MM,5M	
C311	31607-402-200		C-ELECTROLYTIC	CE04W TAPG 50V 0.47M	
C312	2401-000553	31607-402-570	C-AL	1UF,10%,50V,GP,5X11MM,5MM	
△ C401	2301-000148	31507-137-013	C-FILM,PEF	10NF,5%,100V,7X3.2X7MM,5M	
C402	A1102-0205		C-FILM	CF 922 P 1.6KV T 632-J BU	
C403	2201-000467	31417-767-331	C-CERAMIC,DISC	330PF,10%,2KV,Y5P,-,5MM,T	
△ C404	2306-000184	31517-333-334	C-FILM,MPPF	330nF,5%,250V,-,7.5mm,TP	
△ C405	2305-000154	31517-003-020	C-FILM,MPEF	100NF,5%,400V,21.5X6.5X11	
C406	2201-000556	31417-106-090	C-CERAMIC,DISC	470PF,10%,500V,Y5P,6X3.5M	
△ C407	2401-001397	A1104-0012	C-AL	470UF,20%,25V,GP,10X16MM,	
C408	2201-000556	31417-106-090	C-CERAMIC,DISC	470PF,10%,500V,Y5P,6X3.5M	
C409	31607-402-320		C-ELECTROLYTIC	CE04W TAPG 50V 470M-M(RO)	
C410	A1104-0741		C-ELEC	CE 04 -40/105 250V T 2R2-	
C411	2201-000556	31417-106-090	C-CERAMIC,DISC	470PF,10%,500V,Y5P,6X3.5M	
C412	2401-000927	31607-403-500	C-AL	22UF,20%,250V,GP,13X20MM,	
C413	2301-000224	31507-127-008	C-FILM,PEF	22NF,5%,50V,7.4X3.9X13MM,	
△ C414	2306-000122	B1102-0318	C-FILM,MPPF	100NF,5%,50V,7.3X4.0X5.0M	
△ C415	2401-000832	31607-401-690	C-AL	220UF,20%,25V,GP,8X11MM,5	
△ C416	2401-000839	A1104-0527	C-AL	220UF,20%,25V,WT,10X12.5M	
C417	2201-000599	31417-468-561	C-CERAMIC,DISC	560PF,10%,500V,Y5P,6X4MM,	
△ C418	2306-000122	B1102-0318	C-FILM,MPPF	100NF,5%,50V,7.3X4.0X5.0M	
C501	2305-000289	A1102-0291	C-FILM,MPEF	220NF,5%,63V,-,5MM,TP	
C502	2401-000636	31607-403-580	C-AL	2.2UF,20%,315V,GP,10X12.5	
C503	2202-000243	A1100-0341	C-CERAMIC,MLC-AXIAL	33PF,5%,50V,SL,3.5X19MM,-	
C504	2202-000205	A1100-0812	C-CERAMIC,MLC-AXIAL	22PF,5%,50V,SL,3.5X19MM,-	
C505	2202-002003		C-CERAMIC,MLC-AXIAL	39PF,5%,50V,SL,1.9X3.5MM,	
C506	A1100-0783		C-CERAMIC	CK 45 F 3KV 103-Z CK45FZ3	
C507	31517-390-502		C-M,POLYESTER	CFS922M TAPG 250V 104-J	
C508	2401-000636	31607-403-580	C-AL	2.2UF,20%,315V,GP,10X12.5	
C601	2202-000279	A1100-0796	C-CERAMIC,MLC-AXIAL	47PF,5%,50V,SL,3.5X19MM,-	
C602	2202-000279	A1100-0796	C-CERAMIC,MLC-AXIAL	47PF,5%,50V,SL,3.5X19MM,-	
C603	2306-000122	B1102-0318	C-FILM,MPPF	100NF,5%,50V,7.3X4.0X5.0M	
C604	2301-000201	31507-127-002	C-FILM,PEF	2.2NF,5%,50V,7.4X3.9X13MM	
C605	2301-000224	31507-127-008	C-FILM,PEF	22NF,5%,50V,7.4X3.9X13MM,	
C606	2301-000224	31507-127-008	C-FILM,PEF	22NF,5%,50V,7.4X3.9X13MM,	
C607	2301-000192	31507-127-000	C-FILM,PEF	1NF,5%,50V,5.3X10MM,5MM,T	
C608	2301-000301	31507-127-017	C-FILM,PEF	6.8NF,5%,50V,6.5X5.5X3.0X	
C609	2306-000122	B1102-0318	C-FILM,MPPF	100NF,5%,50V,7.3X4.0X5.0M	
C610	2301-000301	31507-127-017	C-FILM,PEF	6.8NF,5%,50V,6.5X5.5X3.0X	
C611	2306-000122	B1102-0318	C-FILM,MPPF	100NF,5%,50V,7.3X4.0X5.0M	
C612	2305-000289	A1102-0291	C-FILM,MPEF	220NF,5%,63V,-,5MM,TP	
C613	2305-000289	A1102-0291	C-FILM,MPEF	220NF,5%,63V,-,5MM,TP	
C614	2401-001397	A1104-0012	C-AL	470UF,20%,25V,GP,10X16MM,	
C615	2301-000320	31507-127-021	C-FILM,PEF	82NF,5%,50V,8.0X4.5X8.5MM	
C616	2201-000642	31417-104-270	C-CERAMIC,DISC	680PF,10%,50V,Y5P,4.0X4.0	
C617	2401-000480	31607-402-250	C-AL	10UF,20%,50V,GP,5X11MM,5M	
C618	2401-000480	31607-402-250	C-AL	10UF,20%,50V,GP,5X11MM,5M	
C619	2401-000947	31607-402-070	C-AL	22UF,20%,35V,GP,5X11MM,-,	
C620	2401-000947	31607-402-070	C-AL	22UF,20%,35V,GP,5X11MM,-,	
C621	2201-000471	31417-104-330	C-CERAMIC,DISC	330PF,10%,50V,Y5P,4X3.5MM	
C622	2201-000471	31417-104-330	C-CERAMIC,DISC	330PF,10%,50V,Y5P,4X3.5MM	
C623	2401-001026	31607-402-230	C-AL	3.3UF,20%,50V,GP,5X11MM,5	
C624	2401-001026	31607-402-230	C-AL	3.3UF,20%,50V,GP,5X11MM,5	
C625	2301-000264	31507-127-016	C-FILM,PEF	4.7NF,5%,50V,6.5X5.5X3.0X	
C626	2301-000264	31507-127-016	C-FILM,PEF	4.7NF,5%,50V,6.5X5.5X3.0X	
C627	A1104-0472		C-ELEC	CE 04 -40/85 25V T 102-M	
C628	2306-000122	B1102-0318	C-FILM,MPPF	100NF,5%,50V,7.3X4.0X5.0M	
C631	2401-000480	31607-402-250	C-AL	10UF,20%,50V,GP,5X11MM,5M	
C632	2401-000480	31607-402-250	C-AL	10UF,20%,50V,GP,5X11MM,5M	
C633	2401-000480	31607-402-250	C-AL	10UF,20%,50V,GP,5X11MM,5M	

Loc No	New Code No	Old Code No	Description	Specification	Remarks
C634	31607-402-200		C-ELECTROLYTIC	CE04W TAPG 50V 0.47M	
C635	2401-000480	31607-402-250	C-AL	10UF, 20%, 50V, GP, 5X11MM, 5M	
C636	2401-000480	31607-402-250	C-AL	10UF, 20%, 50V, GP, 5X11MM, 5M	
C637	2301-000192	31507-127-000	C-FILM, PEF	1NF, 5%, 50V, 5.3X10MM, 5MM, T	
C651	2301-000380	31507-127-006	C-FILM, PEF	10NF, 5%, 50V, 6.5X3MM, 5MM, T	
C701	2401-000269	31607-401-470	C-AL	100UF, 20%, 16V, GP, 6X11MM, 5	
C702	2401-000480	31607-402-250	C-AL	10UF, 20%, 50V, GP, 5X11MM, 5M	
C703	2401-000480	31607-402-250	C-AL	10UF, 20%, 50V, GP, 5X11MM, 5M	
C704	2401-000480	31607-402-250	C-AL	10UF, 20%, 50V, GP, 5X11MM, 5M	
C705	2401-000480	31607-402-250	C-AL	10UF, 20%, 50V, GP, 5X11MM, 5M	
C706	2401-000480	31607-402-250	C-AL	10UF, 20%, 50V, GP, 5X11MM, 5M	
C707	2401-000480	31607-402-250	C-AL	10UF, 20%, 50V, GP, 5X11MM, 5M	
C708	A1100-0990		C-CERAMIC	CK OA X7R 16V T 222-M EP0	
C709	A1100-0990		C-CERAMIC	CK OA X7R 16V T 222-M EP0	
C710	2401-000480	31607-402-250	C-AL	10UF, 20%, 50V, GP, 5X11MM, 5M	
C711	2306-000122	B1102-0318	C-FILM, MPPF	100NF, 5%, 50V, 7.3X4.0X5.0M	
C712	31607-401-500		C-ELECTROLYTIC	CE04W TAPG 16V 470M-M(SG)	
C713	2202-000127	A1100-0803	C-CERAMIC, MLC-AXIAL	10NF, +80-20%, 25V, Y5V, -, 7.	
△ C801	2401-001386	31609-979-001	C-AL	470UF, 20%, 250V, GP, 22X50MM	
△ C802	31467-102-010		C-CERAMIC, AC	CK45P TAPG E250V 222-M(T2	
△ C803	31467-102-010		C-CERAMIC, AC	CK45P TAPG E250V 222-M(T2	
△ C804	31466-504-060		C-CERAMIC, AC	ECK-ZNS 472MEX(RO)	
C805	31417-901-400		C-CERAMIC, HIC	CK45(T) B2KV 561-K	
C806	31609-403-360		C-ELECTROLYTIC	CE04W 200V 220U-HA(22X35)	
C807	2201-000599	31417-468-561	C-CERAMIC, DISC	560PF, 10%, 500V, Y5P, 6X4MM,	
C808	A1104-0740		C-ELEC	CE 04 -55/105 25V T 471-M	
△ C809	2401-000318	A1104-0559	C-AL	100UF, 20%, 25V, WT, 8X11.5MM	
△ C810	2306-000122	B1102-0318	C-FILM, MPPF	100NF, 5%, 50V, 7.3X4.0X5.0M	
△ C811	2401-000287	A1104-0368	C-AL	100UF, 20%, 16V, WT, 6X11MM, 5	
△ C812	2401-000287	A1104-0368	C-AL	100UF, 20%, 16V, WT, 6X11MM, 5	
C813	2401-001495	31607-401-460	C-AL	47UF, 20%, 16V, GP, 5X11MM, 5M	
△ C814	2306-000159	A1102-0316	C-FILM, MPPF	220NF, 20%, 250V, -, 22.5MM, B	
C815	31607-403-990		C-ELECTROLYTIC	CE04W TAPG 200V 100M-M(16	
C816	2401-002211	A1104-0810	C-AL	1000UF, 20%, 35V, -, 13X25, 5M	
△ C817	2303-000159	31509-391-090	C-FILM, PPF	2.2NF, 5%, 1.6KV, 28X13.5X8,	
C818	2401-000493	A1104-0577	C-AL	10UF, 20%, 50V, WT, 5X11MM, 5M	
C819	2201-000599	31417-468-561	C-CERAMIC, DISC	560PF, 10%, 500V, Y5P, 6X4MM,	
C820	A1104-0472		C-ELEC	CE 04 -40/85 25V T 102-M	
△ C822	2306-000159	A1102-0316	C-FILM, MPPF	220NF, 20%, 250V, -, 22.5MM, B	
C851	A1104-0770		C-ELEC	CE 04 -40/+105 35V T 471-	
C852	31607-402-110		C-ELECTROLYTIC	CE04W TAPG 35V 220M-M	
C853	2401-000395	31607-403-210	C-AL	10UF, 20%, 160V, GP, 10X12.5M	
△ C854	2305-000407	A1102-0324	C-FILM, MPEF	470NF, 5%, 100V, -, 5MM, TP	
C855	31417-901-400		C-CERAMIC, HIC	CK45(T) B2KV 561-K	
△ C856	2401-000901	31607-403-220	C-AL	22UF, 20%, 160V, GP, 10X20MM,	
C862	31607-402-240		C-ELECTROLYTIC	CE04W TAPG 50V 4.7M	
C902	2202-000173	A1100-0338	C-CERAMIC, MLC-AXIAL	1NF, 10%, 50V, Y5P, 1.9X3.5MM	
C903	2401-001495	31607-401-460	C-AL	47UF, 20%, 16V, GP, 5X11MM, 5M	
C904	2202-000173	A1100-0338	C-CERAMIC, MLC-AXIAL	1NF, 10%, 50V, Y5P, 1.9X3.5MM	
C905	31607-402-200		C-ELECTROLYTIC	CE04W TAPG 50V 0.47M	
C906	2201-000471	31417-104-330	C-CERAMIC, DISC	330PF, 10%, 50V, Y5P, 4X3.5MM	
C907	2401-001495	31607-401-460	C-AL	47UF, 20%, 16V, GP, 5X11MM, 5M	
C908	2201-000600	31417-104-560	C-CERAMIC, DISC	560PF, 10%, 50V, Y5P, 4X3.5MM	
C909	2201-000651	31407-105-300	C-CERAMIC, DISC	68PF, 5%, 50V, NPO, 8X3, 5, TP	
C910	2401-000480	31607-402-250	C-AL	10UF, 20%, 50V, GP, 5X11MM, 5M	
C911	2401-000480	31607-402-250	C-AL	10UF, 20%, 50V, GP, 5X11MM, 5M	
C913	2202-000127	A1100-0803	C-CERAMIC, MLC-AXIAL	10NF, +80-20%, 25V, Y5V, -, 7.	
C914	2202-000173	A1100-0338	C-CERAMIC, MLC-AXIAL	1NF, 10%, 50V, Y5P, 1.9X3.5MM	
C915	2306-000122	B1102-0318	C-FILM, MPPF	100NF, 5%, 50V, 7.3X4.0X5.0M	
C916	2201-000119	31417-344-104	C-CERAMIC, DISC	100NF, +80-20%, 50V, Y5V, 8X5	
C920	2301-000125	31507-121-920	C-FILM, PEF	100NF, 20%, 100V, 14.5X5.7X8	
C933	2401-000832	31607-401-690	C-AL	220UF, 20%, 25V, GP, 8X11MM, 5	

Loc No	New Code No	Old Code No	Description	Specification	Remarks
C957	2401-000832	31607-401-690	C-AL	220UF, 20%, 25V, GP, 8X11MM, 5	
C966	2202-000173	A1100-0338	C-CERAMIC,MLC-AXIAL	1NF, 10%, 50V, Y5P, 1.9X3.5MM	
CK01	2202-000127	A1100-0803	C-CERAMIC,MLC-AXIAL	10NF, +80-20%, 25V, Y5V, -, 7.	
CK02	2202-000127	A1100-0803	C-CERAMIC,MLC-AXIAL	10NF, +80-20%, 25V, Y5V, -, 7.	
CK03	31607-402-200		C-ELECTROLYTIC	CE04W TAPG 50V 0.47M	
CK04	31607-402-200		C-ELECTROLYTIC	CE04W TAPG 50V 0.47M	
CK05	2401-001495	31607-401-460	C-AL	47UF, 20%, 16V, GP, 5X11MM, 5M	
CK06	2202-000286	A1100-0879	C-CERAMIC,MLC-AXIAL	56PF, 5%, 50V, SL, 1.9X3.5MM,	
CLMP/W	AA65-30003A	33333-0011-000	CLAMP-WIRE	-, NYLON-66, V0, NTR, V-MODEL	
CN501	AA39-20070A	36434-0010-000	LEAD-CONNECTOR, ASSY	-, YBNH025-07, 67096-007, 7P	
CN502	33347-108-110		POST-HEADER	67094-007 (AUTO)	
CN601L	33347-108-310		POST-HEADER	67094-003(AUTO)	
CN601R	33347-114-810		POST-HEADER	YW025-04(AUTO)	
CN602	33347-108-140		POST-HEADER	67094-006 (AUTO)	
CN902	33347-110-150		POST-HEADER	67094-008 (AUTO)	
CNW02	33347-108-310		POST-HEADER	67094-003(AUTO)	
CJ02	2306-000122	B1102-0318	C-FILM, MPPF	100NF, 5%, 50V, 7.3X4.0X5.0M	
CW01	A1104-0472		C-ELEC	CE 04 -40/85 25V T 102-M	
CW02	2306-000122	B1102-0318	C-FILM, MPPF	100NF, 5%, 50V, 7.3X4.0X5.0M	
CW03	2401-000603	31607-402-210	C-FILM	1UF, 20%, 50V, GP, 5X11MM, 5MM	
CW04	2301-000224	31507-127-008	C-FILM, PEF	22NF, 5%, 50V, 7.4X3.9X13MM,	
CW05	2301-000160	A1102-0234	C-FILM, PEF	12NF, 5%, 50V, 11.0X6.0X9.0M	
CW06	31607-402-720		C-ELECTROLYTIC	CE04W TAPG 50V 2.2M-M(NP)	
CW07	A1104-0472		C-ELEC	CE 04 -40/85 25V T 102-M	
CW08	2306-000122	B1102-0318	C-FILM, MPPF	100NF, 5%, 50V, 7.3X4.0X5.0M	
CW09	31607-402-260		C-ELECTROLYNC	CE04W TAPG 50V 22M-M	
CW10	2401-001625	31607-402-550	C-AL	6.8UF, 20%, 50V, GP, 5X11MM, 5	
CW11	2305-000289	A1102-0291	C-FILM, MPEF	220NF, 5%, 63V, -, 5MM, TP	
CW12	2305-000289	A1102-0291	C-FILM, MPEF	220NF, 5%, 63V, -, 5MM, TP	
CW13	2401-000480	31607-402-250	C-AL	10UF, 20%, 50V, GP, 5X11MM, 5M	
CW14	31607-402-200		C-ELECTROLYTIC	CE04W TAPG 50V 0.47M	
CX01	2202-000127	A1100-0803	C-CERAMIC,MLC-AXIAL	10NF, +80-20%, 25V, Y5V, -, 7.	
CX02	2401-000480	31607-402-250	C-AL	10UF, 20%, 50V, GP, 5X11MM, 5M	
CX03	2401-000480	31607-402-250	C-AL	10UF, 20%, 50V, GP, 5X11MM, 5M	
CX04	2201-000556	31417-106-090	C-CERAMIC, DISC	470PF, 10%, 500V, Y5P, 6X3.5M	
D201	0402-000129	32167-201-070	DIODE-RECTIFIER	1N4003, 200V, 1A, DO-41	
D231	32167-406-480		DIODE	1N4148 TAPG	
D232	32167-406-480		DIODE	1N4148 TAPG	
D233	32167-406-480		DIODE	1N4148 TAPG	
D261	32167-406-480		DIODE	1N4148 TAPG	
D262	32167-406-480		DIODE	1N4148 TAPG	
D301	0402-000546	32167-201-170	DIODE-RECTIFIER	TVR10G, 400V, 1.0A, DO-41	
D402	0402-000129	32167-201-070	DIODE-RECTIFIER	1N4003, 200V, 1A, DO-41	
△ D403	0402-000493	32167-207-120	DIODE-RECTIFIER	1R5GU41, 400V, 1.5A, DO-15L	
D404	0402-000546	32167-201-170	DIODE-RECTIFIER	TVR10G, 400V, 1.0A, DO-41	
D405	0402-000546	32167-201-170	DIODE-RECTIFIER	TVR10G, 400V, 1.0A, DO-41	
△ D501	0402-000133	B4104-0002	DIODE-RECTIFIER	1N4004GP, 400V, 1A, DO-41	
D601	32167-406-480		DIODE	1N4148 TAPG	
△ D801	B4104-0112		DIODE-RECT	RBV606LFB 600V 6A ST BRID	
D802	0402-000546	32167-201-170	DIODE-RECTIFIER	TVR10G, 400V, 1.0A, DO-41	
△ D803	0402-000493	32167-207-120	DIODE-RECTIFIER	1R5GU41, 400V, 1.5A, DO-15L	
△ D804	0402-000213	32167-208-580	DIODE-RECTIFIER	ERB12-06, 600V, 1.0A, DO-41	
D805	0402-000546	32167-201-170	DIODE-RECTIFIER	TVR10G, 400V, 1.0A, DO-41	
D806	0402-000546	32167-201-170	DIODE-RECTIFIER	TVR10G, 400V, 1.0A, DO-41	
△ D807	0402-000493	32167-207-120	DIODE-RECTIFIER	1R5GU41, 400V, 1.5A, DO-15L	
D808	0402-000129	32167-201-070	DIODE-RECTIFIER	1N4003, 200V, 1A, DO-41	
△ D811	0402-000540	B4102-0068	DIODE-RECTIFIER	RU20A, 600V, 1.5A, -	
D812	32167-406-480		DIODE	1N4148 TAPG	
D813	0402-000546	32167-201-170	DIODE-RECTIFIER	TVR10G, 400V, 1.0A, DO-41	
D814	0402-000546	32167-201-170	DIODE-RECTIFIER	TVR10G, 400V, 1.0A, DO-41	
D903	32167-406-480		DIODE	1N4148 TAPG	
D905	32167-406-480		DIODE	1N4148 TAPG	

Loc No	New Code No	Old Code No	Description	Specification	Remarks
D951	0402-000129	32167-201-070	DIODE-RECTIFIER	1N4003, 200V, 1A, DO-41	
DW01	32167-406-480		DIODE	1N4148 TAPG	
DW02	32167-406-480		DIODE	1N4148 TAPG	
DX01	32167-408-080		DIODE-ZENER	EQA02-06D/MTZ6.2B(TAPG)	
DX02	0402-000546	32167-201-170	DIODE-RECTIFIER	TVR10G, 400V, 1.0A, DO-41	
DZ101	0403-000700	A4106-0227	DIODE-ZENER	TZP33A, 33V, 31-35V, 1W, DO-4	
DZ201	0403-000663	A4106-0229	DIODE-ZENER	MTZ3.3B, 3.3V, 3.32-3.53V, 5	
DZ223	32167-401-800		DIODE-ZENER	EQA02-06A/MTZ5.6B(TAPG)	
DZ601	0403-000654	32167-406-250	DIODE-ZENER	MTZ12, 12V, 11.4-12.6V, 500M	
DZ602	0403-000654	32167-406-250	DIODE-ZENER	MTZ12, 12V, 11.4-12.6V, 500M	
DZ603	0403-000654	32167-406-250	DIODE-ZENER	MTZ12, 12V, 11.4-12.6V, 500M	
DZ604	0403-000654	32167-406-250	DIODE-ZENER	MTZ12, 12V, 11.4-12.6V, 500M	
DZ605	0403-000654	32167-406-250	DIODE-ZENER	MTZ12, 12V, 11.4-12.6V, 500M	
DZ606	0403-000654	32167-406-250	DIODE-ZENER	MTZ12, 12V, 11.4-12.6V, 500M	
DZ607	0403-000656	32167-403-780	DIODE-ZENER	MTZ15C, 15V, 14.35-15.09V, 5	
DZ701	0403-000654	32167-406-250	DIODE-ZENER	MTZ12, 12V, 11.4-12.6V, 500M	
DZ702	0403-000654	32167-406-250	DIODE-ZENER	MTZ12, 12V, 11.4-12.6V, 500M	
DZ703	0403-000654	32167-406-250	DIODE-ZENER	MTZ12, 12V, 11.4-12.6V, 500M	
△ DZ801	1405-000188	32167-401-041	VARIABLE	430V, 1250A, 14X7.5MM, TP	
△ DZ802	1405-000188	32167-401-041	VARIABLE	430V, 1250A, 14X7.5MM, TP	
△ DZ803	0403-000697	A4106-0237	DIODE-ZENER	TZP10A, 10V, 9.4-10.6V, 1W, D	
DZ804	32167-406-080		DIODE-ZENER	MTZ 5.1B	
DZ901	32167-401-800		DIODE-ZENER	EQA02-06A/MTZ5.6B(TAPG)	
DZ902	32167-401-800		DIODE-ZENER	EQA02-06A/MTZ5.6B(TAPG)	
DZ903	32167-401-800		DIODE-ZENER	EQA02-06A/MTZ5.6B(TAPG)	
DZ904	32167-401-800		DIODE-ZENER	EQA02-06A/MTZ5.6B(TAPG)	
DZ905	32167-401-800		DIODE-ZENER	EQA02-06A/MTZ5.6B(TAPG)	
DZ906	32167-401-800		DIODE-ZENER	EQA02-06A/MTZ5.6B(TAPG)	
DZ907	32167-401-800		DIODE-ZENER	EQA02-06A/MTZ5.6B(TAPG)	
DZ908	32167-401-800		DIODE-ZENER	EQA02-06A/MTZ5.6B(TAPG)	
EYELET	AA60-40011A	33104-107-210	EYELET	-, ID2.0, OD2.8, -, -, BST	EY100-EY843
EYELET	AA60-40011B	33104-107-220	EYELET	-, ID2.2, OD3.2, -, -, BSP	EL101-EL810
△ F801	3601-000144	34709-087-170	FUSE-FERRULE	125V, 4A, SLOW BLOW, GLASS, 5	
F801A	3602-000114	33167-001-001	FUSE-HOLDER	-, -, 30MOHM	
F801B	3602-000114	33167-001-001	FUSE-HOLDER	-, -, 30MOHM	
GT-PIN	AA60-40014A	33124-111-100	PIN-GT, ASSY	1P, -, -, AUTO	PIN-GT, ALL
GT101	AA39-20010C	33054-834-017	LEAD-CONNECTOR, ASSY	-, YFH800-01, S, 1P, 600, 1617	
△ H001	AA59-40002F	37179-0006-000	MODULE-RF S/W	-, 2GR-10UT, NTSC, USA, -, -	
△ HC801	AA13-20002Q	A4010-0082	IC-HYBRID	-, FL001, SIP, 6P, FEEDBACK	
△ HC802	AA13-20002R	A4010-0083	IC-HYBRID	-, PCL001, SIP, 6P, POWER CON	
△ IC201	B4012-0400		IC-LINEAR	TA1201AN SDIP 56PIN NT1CH	
△ IC451	1203-000298	A4008-0520	IC-POS1. FIXED REG.	7809, TO-220, 3P, -, PLASTIC,	
△ IC602	B4012-0286		IC-LINEAR	UPC1853CT DIP TV-VIDEO(VR	
△ IC604	AA59-40002D	32199-411-090	MODULE-MTS	-, SBX1637A, ZENITH, USA, -, -	
IC701	32119-101-730		IC	M51321P	
△ IC851	0604-000117	32309-024-040	PHOTO-COUPLER	TR, 130-260%, 200MM, DIP-4, S	
△ IC852	AA13-20002L	B4010-0067	IC-HYBRID	-, SE125N, SIP, 3P, ERROR AMP	
△ IC901	AA13-30006K	B4002-0893	IC-MCU	-, Z8933212PSC-R2497, 16Bit	
△ IC902	1103-000189	B4000-0049	IC-EEPROM	24C02, 256*8BIT, DIP, 8P, 300	
△ ICK01	B4012-0360		IC-LINEAR	LA7510 SIP 9P	
ICW01	32119-201-010		IC	MC 4558C	
J213	2701-000115	32427-805-840	INDUCTOR-AXIAL	10UH, 10%, 2.8X7MM	
JA701	3722-000499	A3040-0198	JACK-RCA	9P(S), -, -, SN	
L-CAUT	AA68-50064E	38114-700-210	LABEL-INDICATOR	A/P120(S), TO.2, -, -, WHT, UL	
L-SET	AA68-50088A	38114-708-210	LABEL-SET	A/P120(S), -, -, -, -, USA A	
L101	2701-000114	32427-904-924	INDUCTOR-AXIAL	10UH, 10%, 2.5X3.4MM	
L111	3301-000287	34047-019-060	CORE-FERRITE BEAD	AA, 3.5X1.0X6.0MM, 1500, 240	
L152	2701-000304	32427-904-945	INDUCTOR-AXIAL	0.8UH, 10%, 2.5X3.4MM	
L201	AA26-10004K	A1193-0008	TRANS-IF	-, 7MG, SIF, -, 7MM, 100PF, 4.5	
L203	2701-000127	32427-904-926	INDUCTOR-AXIAL	15UH, 10%, 2.5X3.4MM	
L204	2701-000207	A1132-0060	INDUCTOR-AXIAL	56UH, 5%, 2.5X3.4MM	
L205	AA26-10004C	A1190-0010	TRANS-IF	-, 7MG, VIF, 0.37UH, 7MM, 27PF	

Loc No	New Code No	Old Code No	Description	Specification	Remarks
L206	2701-000113	A1132-0056	INDUCTOR-AXIAL	100UH, 5%, 2.5X3.4MM	
L208	2701-000114	32427-904-924	INDUCTOR-AXIAL	10UH, 10%, 2.5X3.4MM	
L301	2701-000116	32427-805-882	INDUCTOR-AXIAL	10UH, 10%, 4.2X9.8MM	
△ L401	AA27-30001B	32446-705-050	COIL-LINEARITY	-, 195UH, Q1C1010, P10.4, 4.5	
△ L403	AA27-10001D	32426-833-020	COIL-CHOKE	-, 6.8MH, K, 50, 150MA, ST, 6.8	
L404	3301-000287	34047-019-060	CORE-FERRITE BEAD	AA, 3.5X1.0X6.0MM, 1500, 240	
L405	3301-000287	34047-019-060	CORE-FERRITE BEAD	AA, 3.5X1.0X6.0MM, 1500, 240	
L450	AA27-10002Y	B1133-0009	COIL-CHOKE	-, 100UH, K, 10, 700MA, T, 100U	
L601	2701-000180	A1132-0089	INDUCTOR-AXIAL	33UH, 5%, 2.5X3.4MM	
L701	2701-000207	A1132-0060	INDUCTOR-AXIAL	56UH, 5%, 2.5X3.4MM	
△ L801	AA29-30001D	32426-633-160	FILTER-LINE	-, 6.0MH, 2A, -, SQ1913	
△ L802	AA27-20002T	32479-027-710	COIL-DEGAUSSING	-, 14", 40HM, 30T, L940, D	
△ L803	AA29-30001D	32426-633-160	FILTER-LINE	-, 6.0MH, 2A, -, SQ1913	
L804	A1247-0054		FILTER-EMI BEAD	HF70ZBF3.5X5X0.8 SB 300HM	
L807	3301-000287	34047-019-060	CORE-FERRITE BEAD	AA, 3.5X1.0X6.0MM, 1500, 240	
L809	AA27-10002Y	B1133-0009	COIL-CHOKE	-, 100UH, K, 10, 700MA, T, 100U	
L810	AA27-10002Y	B1133-0009	COIL-CHOKE	-, 100UH, K, 10, 700MA, T, 100U	
L811	A1247-0054		FILTER-EMI BEAD	HF70ZBF3.5X5X0.8 SB 300HM	
L812	A1247-0054		FILTER-EMI BEAD	HF70ZBF3.5X5X0.8 SB 300HM	
L863	3301-000287	34047-019-060	CORE-FERRITE BEAD	AA, 3.5X1.0X6.0MM, 1500, 240	
L864	3301-000287	34047-019-060	CORE-FERRITE BEAD	AA, 3.5X1.0X6.0MM, 1500, 240	
L901	2701-000114	32427-904-924	INDUCTOR-AXIAL	10UH, 10%, 2.5X3.4MM	
L902	2701-000114	32427-904-924	INDUCTOR-AXIAL	10UH, 10%, 2.5X3.4MM	
L904	A1247-0054		FILTER-EMI BEAD	HF70ZBF3.5X5X0.8 SB 300HM	
LK01	2701-000114	32427-904-924	INDUCTOR-AXIAL	10UH, 10%, 2.5X3.4MM	
△ NT801	A1334-0019		THERMISTOR	KL11L4R7-3.5A 4.7OHM/25DE	
△ P801	B1332-0018		POSISTOR	PTH631D02BF7ROM140T DEGAU	
PD801	AA39-10002X	A6006-0253	POWER-CORD	-, KJ-10, SPT2, 2.4M, HOUS, UL	
Q151	0501-000384	32137-301-090	TR-SMALL SIGNAL	2SC388ATM, NPN, 30V, 25V, 50M	
Q202	32137-301-720		TRANSISTOR	KSC 815-Y(TAPG)/YTAM	
Q203	32137-301-720		TRANSISTOR	KSC 815-Y(TAPG)/YTAM	
Q251	32137-301-720		TRANSISTOR	KSC 815-Y(TAPG)/YTAM	
△ Q402	32137-301-560		TRANSISTOR	KSC 2331-Y(TAPG)	
Q601	32137-301-720		TRANSISTOR	KSC 815-Y(TAPG)/YTAM	
Q621	32137-301-720		TRANSISTOR	KSC 815-Y(TAPG)/YTAM	
Q701	0504-000123	A4060-0033	TR-DIGITAL	KSR1010, NPN, 300MW, 10K, TO-	
Q702	0504-000123	A4060-0033	TR-DIGITAL	KSR1010, NPN, 300MW, 10K, TO-	
△ Q801	A4058-0009		TR-DARLINGTON	TIP102 2W 8A 100V SI/NPN	
△ Q802	0502-000244	A4052-0055	TR-POWER	KSA940, PNP, -150V, -150V, -1	
Q901	32137-301-560		TRANSISTOR	KSC 2331-Y(TAPG)	
Q902	32137-301-720		TRANSISTOR	KSC 815-Y(TAPG)/YTAM	
Q909	0504-000123	A4060-0033	TR-DIGITAL	KSR1010, NPN, 300MW, 10K, TO-	
QW01	32137-301-720		TRANSISTOR	KSC 815-Y(TAPG)/YTAM	
QW02	32137-301-720		TRANSISTOR	KSC 815-Y(TAPG)/YTAM	
QX01	32137-401-530		TRANSISTOR	KSA 539-Y(TAPG)/YTAM	
R101	2001-000429	31018-177-102	R-CARBON	1KOHM, 5%, 1/8W, AA, TP, 1.8X3	
R102	2004-001301	31018-177-823	R-METAL	82KOHM, 5%, 1/8W, AA, TP, 1.8X	
R103	2001-000290	31018-177-103	R-CARBON	10KOHM, 5%, 1/8W, AA, TP, 1.8X	
R106	2001-001146	31018-377-479	R-CARBON(S)	4.7OHM, 5%, 1/2W, AA, TP, 2.4X	
R152	2001-000221	31018-177-122	R-CARBON	1.2KOHM, 5%, 1/8W, AA, TP, 1.8	
R153	2001-000577	31018-177-202	R-CARBON	2KOHM, 5%, 1/8W, AA, TP, 1.8X3	
R154	2001-000780	31018-177-471	R-CARBON	470OHM, 5%, 1/8W, AA, TP, 1.8X	
R155	2004-001240	31018-177-750	R-METAL	75OHM, 5%, 1/8W, AA, TP, 1.8X3	
R156	2001-000281	31018-177-101	R-CARBON	100OHM, 5%, 1/8W, AA, TP, 1.8X	
R157	2001-000793	31018-177-470	R-CARBON	47OHM, 5%, 1/8W, AA, TP, 1.8X3	
R201	2001-000429	31018-177-102	R-CARBON	1KOHM, 5%, 1/8W, AA, TP, 1.8X3	
R202	2001-000734	31018-177-472	R-CARBON	4.7KOHM, 5%, 1/8W, AA, TP, 1.8	
R203	2001-000734	31018-177-472	R-CARBON	4.7KOHM, 5%, 1/8W, AA, TP, 1.8	
R207	2001-001111	A1000-0646	R-CARBON(S)	240OHM, 5%, 1/2W, AA, TP, 2.4X	
R211	2001-000281	31018-177-101	R-CARBON	100OHM, 5%, 1/8W, AA, TP, 1.8X	
R212	2001-000281	31018-177-101	R-CARBON	100OHM, 5%, 1/8W, AA, TP, 1.8X	
R218	2001-000577	31018-177-202	R-CARBON	2KOHM, 5%, 1/8W, AA, TP, 1.8X3	

Loc No	New Code No	Old Code No	Description	Specification	Remarks
R219	2001-000674	31018-177-361	R-CARBON	360OHM, 5%, 1/8W, AA, TP, 1.8X	
R220	2001-000331	31018-177-123	R-CARBON	12KOHM, 5%, 1/8W, AA, TP, 1.8X	
R222	2001-000591	31018-177-332	R-CARBON	3.3KOHM, 5%, 1/8W, AA, TP, 1.8	
R223	2001-000591	31018-177-332	R-CARBON	3.3KOHM, 5%, 1/8W, AA, TP, 1.8	
R224	2001-000591	31018-177-332	R-CARBON	3.3KOHM, 5%, 1/8W, AA, TP, 1.8	
R225	2001-000837	31018-177-513	R-CARBON	51KOHM, 5%, 1/8W, AA, TP, 1.8X	
R226	2001-000290	31018-177-103	R-CARBON	10KOHM, 5%, 1/8W, AA, TP, 1.8X	
R227	2001-000508	31018-177-224	R-CARBON	220KOHM, 5%, 1/8W, AA, TP, 1.8	
R228	2001-000258	31018-177-182	R-CARBON	1.8KOHM, 5%, 1/8W, AA, TP, 1.8	
R229	2001-000258	31018-177-182	R-CARBON	1.8KOHM, 5%, 1/8W, AA, TP, 1.8	
R230	2001-000591	31018-177-332	R-CARBON	3.3KOHM, 5%, 1/8W, AA, TP, 1.8	
R231	2001-000660	31018-177-333	R-CARBON	33KOHM, 5%, 1/8W, AA, TP, 1.8X	
R233	2004-001234	31018-177-753	R-METAL	75KOHM, 5%, 1/8W, AA, TP, 1.8X	
R234	2004-001193	31018-177-681	R-METAL	680OHM, 5%, 1/8W, AA, TP, 1.8X	
R239	2004-001213	31018-177-752	R-METAL	7.5KOHM, 5%, 1/8W, AA, TP, 1.8	
R240	2001-000577	31018-177-202	R-CARBON	2KOHM, 5%, 1/8W, AA, TP, 1.8X3	
R241	2001-000857	31018-177-561	R-CARBON	560OHM, 5%, 1/8W, AA, TP, 1.8X	
R242	2001-000857	31018-177-561	R-CARBON	560OHM, 5%, 1/8W, AA, TP, 1.8X	
R251	2001-000362	31018-177-151	R-CARBON	150OHM, 5%, 1/8W, AA, TP, 1.8X	
R252	2001-000362	31018-177-151	R-CARBON	150OHM, 5%, 1/8W, AA, TP, 1.8X	
R261	2001-000397	31018-177-184	R-CARBON	180KOHM, 5%, 1/8W, AA, TP, 1.8	
R262	2001-000773	31018-177-474	R-CARBON	470KOHM, 5%, 1/8W, AA, TP, 1.8	
R271	2001-000515	31018-177-221	R-CARBON	220OHM, 5%, 1/8W, AA, TP, 1.8X	
R272	2001-000515	31018-177-221	R-CARBON	220OHM, 5%, 1/8W, AA, TP, 1.8X	
R273	2001-000515	31018-177-221	R-CARBON	220OHM, 5%, 1/8W, AA, TP, 1.8X	
R301	2001-000003	31018-177-331	R-CARBON	330OHM, 5%, 1/8W, AA, TP, 1.8X	
R302	2001-000660	31018-177-333	R-CARBON	33KOHM, 5%, 1/8W, AA, TP, 1.8X	
R303	2004-001104	31018-177-563	R-METAL	56KOHM, 5%, 1/8W, AA, TP, 1.8X	
R304	2003-001036	A1004-0456	R-METAL OXIDE(S)	3.3OHM, 5%, 2W, AF, TP, 3.9X10	
R305	2004-001301	31018-177-823	R-METAL	82KOHM, 5%, 1/8W, AA, TP, 1.8X	
R306	2001-000003	31018-177-331	R-CARBON	330OHM, 5%, 1/8W, AA, TP, 1.8X	
R307	2001-000679	31018-177-363	R-CARBON	36KOHM, 5%, 1/8W, AA, TP, 1.8X	
R308	2001-000633	31018-177-303	R-CARBON	30KOHM, 5%, 1/8W, AA, TP, 1.8X	
R309	2003-000649	A1004-0418	R-METAL OXIDE(S)	330OHM, 5%, 1W, AD, TP, 3.3X9M	
R401	2001-000780	31018-177-471	R-CARBON	470OHM, 5%, 1/8W, AA, TP, 1.8X	
R402	2001-000429	31018-177-102	R-CARBON	1KOHM, 5%, 1/8W, AA, TP, 1.8X3	
R403	2001-001114	31018-377-271	R-CARBON(S)	270OHM, 5%, 1/2W, AA, TP, 2.4X	
R404	2001-000020	31018-377-220	R-CARBON(S)	220OHM, 5%, 1/2W, AA, TP, 2.4X6	
△ R405	2003-000540	A1004-0404	R-METAL OXIDE(S)	1KOHM, 5%, 2W, AD, TP, 4X12MM	
△ R406	2008-000262	A1010-0063	R-FUSIBLE(S)	150OHM, 5%, 2W, AF, TP, 3.9X10	
R407	2001-000022	31018-377-330	R-CARBON(S)	330OHM, 5%, 1/2W, AA, TP, 2.4X6	
△ R408	2004-001390	31048-361-001	R-METAL(S)	1KOHM, 2%, 1/2W, AA, TP, 2.4X6	
△ R409	2008-000254	A1010-0085	R-FUSIBLE(S)	0.68OHM, 5%, 2W, AF, TP, 3.9X1	
△ R410	2008-000206	A1010-0035	R-FUSIBLE(S)	1OHM, 5%, 1/2W, AF, TP, 2.5X6.	
△ R411	2004-001405	31049-375-793	R-METAL(S)	79KOHM, 1%, 1/2W, AA, TP, 2.4X	
△ R412	2004-001408	31049-375-913	R-METAL(S)	91KOHM, 1%, 1/2W, AA, TP, 2.4X	
△ R413	2001-001037	A1000-0660	R-CARBON(S)	0.39OHM, 5%, 1/2W, AA, TP, 2.4	
△ R414	2004-001405	31049-375-793	R-METAL(S)	79KOHM, 1%, 1/2W, AA, TP, 2.4X	
△ R420	31028-328-102		R-COMPOSITION	RC 1/2T 1K-K/ERG-12GK 102	
△ R440	2003-000746	A1004-0427	R-METAL OXIDE(S)	56OHM, 5%, 2W, AD, TP, 4X12MM	
△ R441	2003-001026	A1004-0477	R-METAL OXIDE(S)	180OHM, 5%, 2W, AF, TP, 3.9X10	
△ R442	2003-001026	A1004-0477	R-METAL OXIDE(S)	180OHM, 5%, 2W, AF, TP, 3.9X10	
△ R451	2008-000252	A1010-0038	R-FUSIBLE(S)	0.47OHM, 10%, 1/2W, AF, TP, 2.	
△ R453	2003-000713	A1004-0428	R-METAL OXIDE(S)	47OHM, 5%, 2W, AD, TP, 4X12MM	
△ R502	2008-000254	A1010-0085	R-FUSIBLE(S)	0.68OHM, 5%, 2W, AF, TP, 3.9X1	
△ R503	31028-328-472		R-COMPOSITION	RC 1/2T 4.7K-K/ERC-12GL 4	
R504	2001-001194	31018-377-823	R-CARBON(S)	82KOHM, 5%, 1/2W, AA, TP, 2.4X	
R505	2001-001194	31018-377-823	R-CARBON(S)	82KOHM, 5%, 1/2W, AA, TP, 2.4X	
R506	2001-001194	31018-377-823	R-CARBON(S)	82KOHM, 5%, 1/2W, AA, TP, 2.4X	
△ R507	2001-001049	A1000-0636	R-CARBON(S)	1.3KOHM, 5%, 1/2W, AB, TP, 2.4	
R508	2001-001106	31018-377-224	R-CARBON(S)	220KOHM, 5%, 1/2W, AA, TP, 2.4	
R509	2001-000780	31018-177-471	R-CARBON	470OHM, 5%, 1/8W, AA, TP, 1.8X	

Loc No	New Code No	Old Code No	Description	Specification	Remarks
R510	2001-000780	31018-177-471	R-CARBON	470OHM, 5%, 1/8W, AA, TP, 1.8X	
R511	2001-000780	31018-177-471	R-CARBON	470OHM, 5%, 1/8W, AA, TP, 1.8X	
R512	2001-000258	31018-177-182	R-CARBON	1.8KOHM, 5%, 1/8W, AA, TP, 1.8	
R513	2001-000258	31018-177-182	R-CARBON	1.8KOHM, 5%, 1/8W, AA, TP, 1.8	
R514	2001-000258	31018-177-182	R-CARBON	1.8KOHM, 5%, 1/8W, AA, TP, 1.8	
△ R515	2008-000266	A1010-0061	R-FUSIBLE(S)	10HM, 5%, 2W, AF, TP, 3.9X10MM	
R516	2001-001062	31018-377-106	R-CARBON(S)	10MOHM, 5%, 1/2W, AA, TP, 2.4X	
△ R518	2008-000277	31057-002-040	R-FUSIBLE	68OHM, 5%, 1/2W, AA, TP, 4.7X1	
R601	2001-000793	31018-177-470	R-CARBON	47OHM, 5%, 1/8W, AA, TP, 1.8X3	
R602	2001-000577	31018-177-202	R-CARBON	2KOHM, 5%, 1/8W, AA, TP, 1.8X3	
R603	2001-000577	31018-177-202	R-CARBON	2KOHM, 5%, 1/8W, AA, TP, 1.8X3	
R606	2004-001284	31018-177-824	R-METAL	820KOHM, 5%, 1/8W, AA, TP, 1.8	
R607	2001-000281	31018-177-101	R-CARBON	100OHM, 5%, 1/8W, AA, TP, 1.8X	
R608	2001-000281	31018-177-101	R-CARBON	100OHM, 5%, 1/8W, AA, TP, 1.8X	
R609	2001-000613	31018-177-392	R-CARBON	3.9KOHM, 5%, 1/8W, AA, TP, 1.8	
R610	2001-000734	31018-177-472	R-CARBON	4.7KOHM, 5%, 1/8W, AA, TP, 1.8	
R611	2001-000009	31018-177-203	R-CARBON	20KOHM, 5%, 1/8W, AA, TP, 1.8X	
R612	2001-000522	31018-177-223	R-CARBON	22KOHM, 5%, 1/8W, AA, TP, 1.8X	
R613	2001-000007	31018-177-302	R-CARBON	3KOHM, 5%, 1/8W, AA, TP, 1.8X3	
R614	2001-000007	31018-177-302	R-CARBON	3KOHM, 5%, 1/8W, AA, TP, 1.8X3	
R615	2001-000429	31018-177-102	R-CARBON	1KOHM, 5%, 1/8W, AA, TP, 1.8X3	
R616	2001-000273	31018-177-104	R-CARBON	100KOHM, 5%, 1/8W, AA, TP, 1.8	
R617	2001-000429	31018-177-102	R-CARBON	1KOHM, 5%, 1/8W, AA, TP, 1.8X3	
R618	2001-001146	31018-377-479	R-CARBON(S)	4.7OHM, 5%, 1/2W, AA, TP, 2.4X	
R619	2001-000362	31018-177-151	R-CARBON	150OHM, 5%, 1/8W, AA, TP, 1.8X	
R620	2001-000290	31018-177-103	R-CARBON	10KOHM, 5%, 1/8W, AA, TP, 1.8X	
R621	2004-001258	31018-177-822	R-METAL	8.2KOHM, 5%, 1/8W, AA, TP, 1.8	
R625	2001-000290	31018-177-103	R-CARBON	10KOHM, 5%, 1/8W, AA, TP, 1.8X	
R626	2001-000633	31018-177-303	R-CARBON	30KOHM, 5%, 1/8W, AA, TP, 1.8X	
R627	2001-001146	31018-377-479	R-CARBON(S)	4.7OHM, 5%, 1/2W, AA, TP, 2.4X	
R633	2004-001258	31018-177-822	R-METAL	8.2KOHM, 5%, 1/8W, AA, TP, 1.8	
R644	2004-001258	31018-177-822	R-METAL	8.2KOHM, 5%, 1/8W, AA, TP, 1.8	
R651	2001-000522	31018-177-223	R-CARBON	22KOHM, 5%, 1/8W, AA, TP, 1.8X	
R652	2001-000522	31018-177-223	R-CARBON	22KOHM, 5%, 1/8W, AA, TP, 1.8X	
R653	2001-000522	31018-177-223	R-CARBON	22KOHM, 5%, 1/8W, AA, TP, 1.8X	
R667	2001-000290	31018-177-103	R-CARBON	10KOHM, 5%, 1/8W, AA, TP, 1.8X	
R705	2001-001187	31018-377-750	R-CARBON(S)	75OHM, 5%, 1/2W, AA, TP, 2.4X6	
R708	2001-001187	31018-377-750	R-CARBON(S)	75OHM, 5%, 1/2W, AA, TP, 2.4X6	
R709	2001-001187	31018-377-750	R-CARBON(S)	75OHM, 5%, 1/2W, AA, TP, 2.4X6	
R712	2001-001071	31018-377-123	R-CARBON(S)	12KOHM, 5%, 1/2W, AA, TP, 2.4X	
R713	2001-000085	31018-377-104	R-CARBON(S)	100KOHM, 5%, 1/2W, AA, TP, 2.4	
R714	2001-001071	31018-377-123	R-CARBON(S)	12KOHM, 5%, 1/2W, AA, TP, 2.4X	
R715	2001-000085	31018-377-104	R-CARBON(S)	100KOHM, 5%, 1/2W, AA, TP, 2.4	
R716	2001-001071	31018-377-123	R-CARBON(S)	12KOHM, 5%, 1/2W, AA, TP, 2.4X	
R717	2001-000085	31018-377-104	R-CARBON(S)	100KOHM, 5%, 1/2W, AA, TP, 2.4	
R718	2001-001071	31018-377-123	R-CARBON(S)	12KOHM, 5%, 1/2W, AA, TP, 2.4X	
R719	2001-000085	31018-377-104	R-CARBON(S)	100KOHM, 5%, 1/2W, AA, TP, 2.4	
R720	2001-000085	31018-377-104	R-CARBON(S)	100KOHM, 5%, 1/2W, AA, TP, 2.4	
R721	2001-000085	31018-377-104	R-CARBON(S)	100KOHM, 5%, 1/2W, AA, TP, 2.4	
R722	2001-000252	31018-177-162	R-CARBON	1.6KOHM, 5%, 1/8W, AA, TP, 1.8	
R723	2001-000429	31018-177-102	R-CARBON	1KOHM, 5%, 1/8W, AA, TP, 1.8X3	
△ R801	2009-000019	A1008-0013	R-METAL PLATE	0.27OHM, 10%, 5W, CL, TP, 5X14	
△ R802	2001-001117	A1000-0586	R-CARBON(S)	2KOHM, 5%, 1/2W, AA, TP, 2.4X6	
△ R803	2001-001117	A1000-0586	R-CARBON(S)	2KOHM, 5%, 1/2W, AA, TP, 2.4X6	
R804	2001-001150	31018-377-474	R-CARBON(S)	470KOHM, 5%, 1/2W, AA, TP, 2.4	
△ R805	31028-328-475		R-COMPOSITION	RC 1/2T 4.7M-K/ERC-12GK 4	
R806	2001-001071	31018-377-123	R-CARBON(S)	12KOHM, 5%, 1/2W, AA, TP, 2.4X	
R807	2001-001071	31018-377-123	R-CARBON(S)	12KOHM, 5%, 1/2W, AA, TP, 2.4X	
R808	2001-001150	31018-377-474	R-CARBON(S)	470KOHM, 5%, 1/2W, AA, TP, 2.4	
△ R809	2008-000205	A1010-0052	R-FUSIBLE(S)	10HM, 5%, 1/2W, AF, TP, 2.5X6	
△ R810	2003-000458	A1004-0430	R-METAL OXIDE(S)	100OHM, 5%, 2W, AD, TP, 4X12MM	
△ R812	2008-000206	A1010-0035	R-FUSIBLE(S)	10HM, 5%, 1/2W, AF, TP, 2.5X6.	

Loc No	New Code No	Old Code No	Description	Specification	Remarks
△ R814	2001-001117	A1000-0586	R-CARBON(S)	2KOHM, 5%, 1/2W, AA, TP, 2.4X6	
△ R815	A1014-0085		R-CEMENT	RWC 5 I 220-J 22R	
△ R816	A1004-0431		R-METAL OXIDE	RS 2 RT(S) 103-J 10K	
△ R817	A1004-0431		R-METAL OXIDE	RS 2 RT(S) 103-J 10K	
△ R818	A1004-0431		R-METAL OXIDE	RS 2 RT(S) 103-J 10K	
R819	A1000-0785		R-CARBON	RD 1/2 T(S) 430-J 43R	
△ R833	2008-000251	A1010-0066	R-FUSIBLE(S)	0.27OHM, 10%, 2W, AF, TP, 3.9X	
R851	31018-377-272		R-CARBON/METAL FILM	RD 1/2T 2.7K-J	
R852	2001-001051	31018-377-152	R-CARBON(S)	1.5KOHM, 5%, 1/2W, AB, TP, 2.4	
△ R853	2003-000713	A1004-0428	R-METAL OXIDE(S)	47OHM, 5%, 2W, AD, TP, 4X12MM	
R902	2001-000429	31018-177-102	R-CARBON	1KOHM, 5%, 1/8W, AA, TP, 1.8X3	
R903	2001-000281	31018-177-101	R-CARBON	100OHM, 5%, 1/8W, AA, TP, 1.8X	
R904	2001-000281	31018-177-101	R-CARBON	100OHM, 5%, 1/8W, AA, TP, 1.8X	
R906	2001-000472	31018-177-272	R-CARBON	2.7KOHM, 5%, 1/8W, AA, TP, 1.8	
R910	2001-000252	31018-177-162	R-CARBON	1.6KOHM, 5%, 1/8W, AA, TP, 1.8	
R911	2001-000290	31018-177-103	R-CARBON	10KOHM, 5%, 1/8W, AA, TP, 1.8X	
R912	2001-000449	31018-177-222	R-CARBON	2.2KOHM, 5%, 1/8W, AA, TP, 1.8	
R913	2001-000449	31018-177-222	R-CARBON	2.2KOHM, 5%, 1/8W, AA, TP, 1.8	
R918	2004-001258	31018-177-822	R-METAL	8.2KOHM, 5%, 1/8W, AA, TP, 1.8	
R920	2001-000290	31018-177-103	R-CARBON	10KOHM, 5%, 1/8W, AA, TP, 1.8X	
R922	2001-000281	31018-177-101	R-CARBON	100OHM, 5%, 1/8W, AA, TP, 1.8X	
R923	2001-000281	31018-177-101	R-CARBON	100OHM, 5%, 1/8W, AA, TP, 1.8X	
R924	2001-000449	31018-177-222	R-CARBON	2.2KOHM, 5%, 1/8W, AA, TP, 1.8	
R925	2001-000449	31018-177-222	R-CARBON	2.2KOHM, 5%, 1/8W, AA, TP, 1.8	
R927	2001-000290	31018-177-103	R-CARBON	10KOHM, 5%, 1/8W, AA, TP, 1.8X	
R928	2004-001104	31018-177-563	R-METAL	56KOHM, 5%, 1/8W, AA, TP, 1.8X	
R929	2001-000429	31018-177-102	R-CARBON	1KOHM, 5%, 1/8W, AA, TP, 1.8X3	
R930	2001-000429	31018-177-102	R-CARBON	1KOHM, 5%, 1/8W, AA, TP, 1.8X3	
R931	2001-000563	31018-177-273	R-CARBON	27KOHM, 5%, 1/8W, AA, TP, 1.8X	
R932	2001-001062	31018-377-106	R-CARBON(S)	10MOHM, 5%, 1/2W, AA, TP, 2.4X	
R933	2001-000290	31018-177-103	R-CARBON	10KOHM, 5%, 1/8W, AA, TP, 1.8X	
R934	2001-001092	31018-377-109	R-CARBON(S)	1OHM, 5%, 1/2W, AB, TP, 2.4X6.	
R935	2001-000273	31018-177-104	R-CARBON	100KOHM, 5%, 1/8W, AA, TP, 1.8	
R936	2001-000548	31018-177-274	R-CARBON	270KOHM, 5%, 1/8W, AA, TP, 1.8	
R937	2004-001140	31018-177-682	R-METAL	6.8KOHM, 5%, 1/8W, AA, TP, 1.8	
R938	2004-001140	31018-177-682	R-METAL	6.8KOHM, 5%, 1/8W, AA, TP, 1.8	
R940	2001-000429	31018-177-102	R-CARBON	1KOHM, 5%, 1/8W, AA, TP, 1.8X3	
R941	2001-000613	31018-177-392	R-CARBON	3.9KOHM, 5%, 1/8W, AA, TP, 1.8	
R942	2001-000613	31018-177-392	R-CARBON	3.9KOHM, 5%, 1/8W, AA, TP, 1.8	
R943	2001-000613	31018-177-392	R-CARBON	3.9KOHM, 5%, 1/8W, AA, TP, 1.8	
R944	2001-000857	31018-177-561	R-CARBON	560OHM, 5%, 1/8W, AA, TP, 1.8X	
R945	2001-000857	31018-177-561	R-CARBON	560OHM, 5%, 1/8W, AA, TP, 1.8X	
R946	2001-000857	31018-177-561	R-CARBON	560OHM, 5%, 1/8W, AA, TP, 1.8X	
R947	2001-000522	31018-177-223	R-CARBON	22KOHM, 5%, 1/8W, AA, TP, 1.8X	
R948	2001-000780	31018-177-471	R-CARBON	470OHM, 5%, 1/8W, AA, TP, 1.8X	
R949	2001-000008	31018-177-153	R-CARBON	15KOHM, 5%, 1/8W, AA, TP, 1.8X	
R950	2001-000290	31018-177-103	R-CARBON	10KOHM, 5%, 1/8W, AA, TP, 1.8X	
R951	2001-000613	31018-177-392	R-CARBON	3.9KOHM, 5%, 1/8W, AA, TP, 1.8	
R952	2001-000472	31018-177-272	R-CARBON	2.7KOHM, 5%, 1/8W, AA, TP, 1.8	
R953	2001-000290	31018-177-103	R-CARBON	10KOHM, 5%, 1/8W, AA, TP, 1.8X	
R954	2001-000290	31018-177-103	R-CARBON	10KOHM, 5%, 1/8W, AA, TP, 1.8X	
R955	2001-000290	31018-177-103	R-CARBON	10KOHM, 5%, 1/8W, AA, TP, 1.8X	
R956	2001-000003	31018-177-331	R-CARBON	330OHM, 5%, 1/8W, AA, TP, 1.8X	
R957	2001-001181	31018-377-680	R-CARBON(S)	68OHM, 5%, 1/2W, AB, TP, 2.4X6	
R958	2001-000241	31018-177-152	R-CARBON	1.5KOHM, 5%, 1/8W, AA, TP, 1.8	
R959	2001-000290	31018-177-103	R-CARBON	10KOHM, 5%, 1/8W, AA, TP, 1.8X	
R960	2001-000281	31018-177-101	R-CARBON	100OHM, 5%, 1/8W, AA, TP, 1.8X	
R961	2001-000290	31018-177-103	R-CARBON	10KOHM, 5%, 1/8W, AA, TP, 1.8X	
R962	2001-001181	31018-377-680	R-CARBON(S)	68OHM, 5%, 1/2W, AB, TP, 2.4X6	
R963	31018-377-102		R-CARBON/METAL FILM	RD 1/2T 1K-J	
R964	31018-377-102		R-CARBON/METAL FILM	RD 1/2T 1K-J	
R965	31018-377-102		R-CARBON/METAL FILM	RD 1/2T 1K-J	



Loc No	New Code No	Old Code No	Description	Specification	Remarks
R966	31018-377-102		R-CARBON/METAL FILM	RD 1/2T 1K-J	
R967	2001-000832	31018-177-511	R-CARBON	510OHM,5%,1/8W,AA,TP,1.8X	
R981	2001-000429	31018-177-102	R-CARBON	1KOHM,5%,1/8W,AA,TP,1.8X3	
R982	2001-000429	31018-177-102	R-CARBON	1KOHM,5%,1/8W,AA,TP,1.8X3	
△ RL801	3501-000285	34729-004-010	RELAY-POWER	12V,-,10A,-,15MS,5MS	
△ RW01	31028-328-472		R-COMPOSITION	RC 1/2T 4.7K-K/ERC-12GL 4	
△ RW02	31028-328-472		R-COMPOSITION	RC 1/2T 4.7K-K/ERC-12GL 4	
△ RU01	31028-328-185		R-COMPOSITION	RC 1/2T 1.8M-K/ERC-12GK 1	
RU02	2001-000780	31018-177-471	R-CARBON	470OHM,5%,1/8W,AA,TP,1.8X	
RW01	2001-000273	31018-177-104	R-CARBON	100KOHM,5%,1/8W,AA,TP,1.8	
RW02	2001-000273	31018-177-104	R-CARBON	100KOHM,5%,1/8W,AA,TP,1.8	
RW03	2001-000273	31018-177-104	R-CARBON	100KOHM,5%,1/8W,AA,TP,1.8	
RW04	2001-000273	31018-177-104	R-CARBON	100KOHM,5%,1/8W,AA,TP,1.8	
RW05	2001-000281	31018-177-101	R-CARBON	100OHM,5%,1/8W,AA,TP,1.8X	
RW06	2001-000273	31018-177-104	R-CARBON	100KOHM,5%,1/8W,AA,TP,1.8	
RW07	2004-001213	31018-177-752	R-METAL	7.5KOHM,5%,1/8W,AA,TP,1.8	
RW08	2001-000837	31018-177-513	R-CARBON	51KOHM,5%,1/8W,AA,TP,1.8X	
RW09	2001-001096	31018-377-229	R-CARBON(S)	2.2OHM,5%,1/2W,AA,TP,2.4X	
RW10	2001-001096	31018-377-229	R-CARBON(S)	2.2OHM,5%,1/2W,AA,TP,2.4X	
RX01	2001-000397	31018-177-184	R-CARBON	180KOHM,5%,1/8W,AA,TP,1.8	
RX02	2001-000411	31018-177-183	R-CARBON	18KOHM,5%,1/8W,AA,TP,1.8X	
△ RX03	2004-001397	A1006-0741	R-METAL(S)	4.7KOHM,1%,1/2W,AA,TP,2.4	
△ RX04	2004-001376	A1006-0739	R-METAL(S)	11KOHM,1%,1/2W,AA,TP,2.4X	
RX05	2001-000522	31018-177-223	R-CARBON	22KOHM,5%,1/8W,AA,TP,1.8X	
RX08	2001-000837	31018-177-513	R-CARBON	51KOHM,5%,1/8W,AA,TP,1.8X	
SF101	2904-000287	B1245-0052	FILTER-SAW AV	45.75MHZ,SIP5P,ST	
SFK01	2904-000289	B1245-0045	FILTER-SAW AV	45.75MHZ,SIP5P,ST	
△ T401	AA26-50001B	32846-070-007	HORIZ.DRIVE	-,7.1MH,102UH,10-20UH,YL0	
△ T444	AA26-30002T	A1201-0059	TRANS-FRYBACK	-,FCK-14B044,14",125V	
△ T801	AA26-20004D	A1206-0095	TRANS-SWITCHING	-,80-260V,-,ER424215,630U	
△ TU01	AA40-10005A		TUNER-F/S	-,TECC1880PK25B,NTSC/USA,	
US0075	AA68-50067A	34503-0100-000	LABEL-RATING	T/P 90(G),T0.2,-,-,-,AL	
△ V999	3704-000102	A3047-0021	SOCKET-CRT	10P,22.5PI,14.3PI,SN	
X201	2801-000226	34537-001-002	CRYSTAL-UNIT	3.579545MHZ,20PPM,28-AAM,	
X202	2802-000172	34539-300-005	RESONATOR-CERAMIC	503.5KHZ,0.5%,BK,7.0X3.5X	
△ X901	B1280-0219		CRYSTAL	32.768KHZ P3 20PPM	
Z201	34527-460-001		FILTER-CERAMIC	TPS4.5MCTF21	
Z601	2903-000135	B1243-0071	FILTER-CERAMIC	BP,4.5MHZ	
			ASSY-H/S,VERT		
△ IC301	*AA96-60020A 32119-102-300	*3Y82-00016-010	ASSY-H/S,VERT IC	VERT,AA62-30033A,KA2131,- KA 2131	CKD S.N.A
			ASSY-H/S,VERT		
△ Q401	*AA96-60042A 0502-000294	*3Y82-20068-010 32159-210-040	ASSY-H/S,VERT TR-POWER	VERT,AA62-30033A,KSD5071, KSD5071YD,NPN,1500V,800V,	CKD S.N.A
			ASSY-H/S,SOUND		
△ IC501	*AA96-60362A B4012-0359		ASSY-H/S,SOUND IC-L INEAR	-,AA62-30027A,TDA6103Q,SM TDA6103Q SIP 9P VIDEO	CKD S.N.A
			ASSY-H/S,SOUND		
△ IC601	*AA96-60363A 1201-000484	B4012-0418	ASSY-H/S,SOUND IC-POWER AMP	-,AA62-30004P,TDA7266,SMX 7266,ZIP,15P,-,DUAL,-,PLA	CKD S.N.A
			ASSY-H/S,POWER		
	AA96-60364A		ASSY-H/S,POWER	-,AA62-30004D,STRS6707 CO	CKD S.N.A

Loc No	New Code No	Old Code No	Description	Specification	Remarks
△ IC801	AA13-20002H	B4010-0034	IC-HYBRID	-,STRS6707,SIP,9P,SMPS CO	
			ASSY-H/S,TR		
△ D810	*AA96-60365A B4102-0087		ASSY-H/S,TR DIODE-FR	-,AA62-30013D,FML-G22S,SM FML-G22S 200V 10A 40NS	CKD S.N.A
			ASSY-H/S,SOUND		
△ ICW02	*AA96-60367A B4012-0586		ASSY-H/S,SOUND IC-LINEAR	-,AA62-30004H,TDA7240A,SM TDA7240A ZIP BULK POWER-A	CKD S.N.A
			ASSY-H/S,POWER		
△ IC802	*AA96-60368A A4008-1236		ASSY-H/S,POWER IC-S/W REGU	-,31124-0047-000,KA7631,S KA7631 SIP 10P BULK 5.1V/	CKD S.N.A
			ASSY-H/S,TR		
△ IC452	*AA96-60395A 1203-000243	A4008-0178	ASSY-H/S,TR IC-POS1.FIXED REG.	-,AA62-30012B,KA7812,SMX 7812,TO-220,3P,-,PLASTIC,	CKD S.N.A
			ASSY-ACCESSORY		
MACH/T	AA26-90001F	32759-115-050	TRANS-MATCHING	-,300OHM/75OHM,NTSC,40-89	
ROD/ANT	AA42-10001Q	34509-223D022	ANT-ROD	DP,4S,500MM,MT,UL	
USER/IM	AA68-10803A		MANUAL-USERS	WP120,-,-,ENG,GAME TV,KG1	
W/CARD	AA68-40045A	A0120-2010	CARD-WARRANTY	-,L1850,WHT,SEA,SECA,W1	
			ASSY-CRT		
△ CRT	AA03-10001D	32019-400-083	CRT-COLOR	-,A34KQV42X,+380MG,14",90	
△ DY	AA27-50001K	32439-210-090	DEFLECTION-YOKE	-,DSE-1422FL,14"/A34KQV42	
△ CY	AA27-60001L	A1155-0004	MAGNET-CONVERGENCE	-,NY-225,22.5MM	
SP-DY	AA63-60028A	33309-0020-000	SPACER-DY	-,NEOPRENE,-,BLK,V0 W12,-	
			ASSY-PCB,CONTROL		
	*AA97-80003A		ASSY-PCB,CONTROL	-,KG1,GXE1395,SMX,SEA	
PCB	AA41-10415A	36029-0411-000	PCB-CONTROL	KG1,1,FR-1,207X38X1.6T	BARE PCB
CC01	2401-001495	31607-401-460	C-AL	47UF,20%,16V,GP,5X11MM,5M	
CNC01	AA39-20068B	36434-0008-010	LEAD-CONNECTOR,ASSY	-,YBNH025-08,67096-008,8P	
LDC01	0601-000368	32309-110-002	LED	ROUND,GRN,3MM,570NM	
LDC02	0601-000368	32309-110-002	LED	ROUND,GRN,3MM,570NM	
LDC03	0601-000385	32309-110-001	LED	ROUND,RED,3MM,700NM	
POWER	AA64-40256A	34164-0082-000	INDICATOR-LED,P	-,ABS,HB,-,-,3374G,-	
RC01	2004-001291	31018-177-821	R-METAL	820OHM,5%,1/8W,AA,TP,1.8X	
RC02	2001-000232	31018-177-132	R-CARBON	1.3KOHM,5%,1/8W,AA,TP,1.8	
RC03	2001-000232	31018-177-132	R-CARBON	1.3KOHM,5%,1/8W,AA,TP,1.8	
RC04	2001-000800	31018-177-512	R-CARBON	5.1KOHM,5%,1/8W,AA,TP,1.8	
RC05	2004-001291	31018-177-821	R-METAL	820OHM,5%,1/8W,AA,TP,1.8X	
RC06	2001-000793	31018-177-470	R-CARBON	47OHM,5%,1/8W,AA,TP,1.8X3	
RMC01	AA59-60002B	A1294-0063	MODULE-REMOCON	-,ORC-50HF,38KHZ,940MM,ME	
SU/WCO	AA64-40257A	34164-0083-000	INDICATOR-LED,S	-,ABS,HB,-,-,3374G,-	
SWC01	3404-000176	33609-101-003	SWITCH-TACT	12V,50MA,90-150GF,6X6MM,S	
SWC02	3404-000176	33609-101-003	SWITCH-TACT	12V,50MA,90-150GF,6X6MM,S	
SWC03	3404-000176	33609-101-003	SWITCH-TACT	12V,50MA,90-150GF,6X6MM,S	
SWC04	3404-000176	33609-101-003	SWITCH-TACT	12V,50MA,90-150GF,6X6MM,S	
SWC05	3404-000176	33609-101-003	SWITCH-TACT	12V,50MA,90-150GF,6X6MM,S	
SWC06	3404-000176	33609-101-003	SWITCH-TACT	12V,50MA,90-150GF,6X6MM,S	

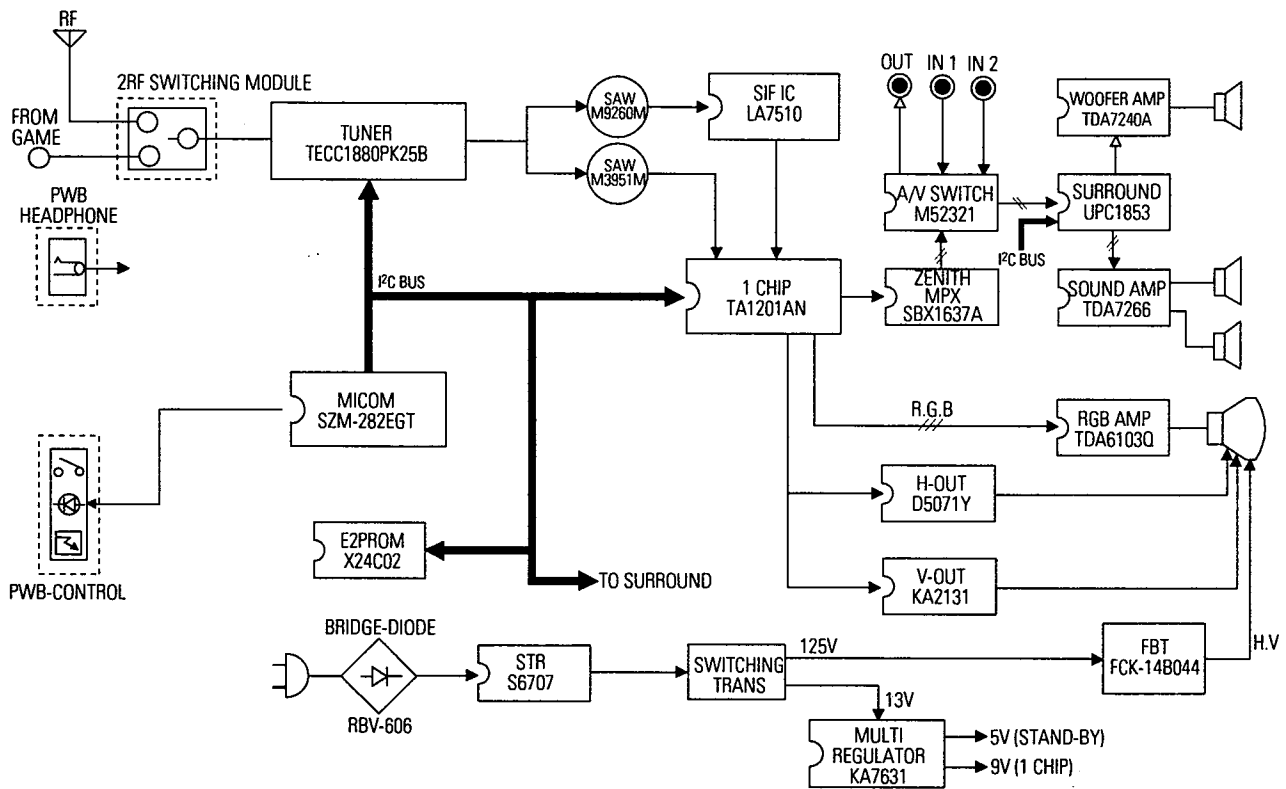
Loc No	New Code No	Old Code No	Description	Specification	Remarks
SWC07	3404-000176	33609-101-003	SWITCH-TACT	12V,50MA,90-150GF,6X6MM,S	
			ASSY-PCB,F/AV		
	*AA97-90003A		ASSY-PCB,F/AV	DP,GXE1395/UCX,KG1,-,-,-	
PCB	AA41-10444A	36029-0518-000	PCB-HEADPHONE	PH1,1,FR-1,49.5X23X1.6T	BARE PCB
CE60	2401-000480	31607-402-250	C-AL	10UF,20%,50V,GP,5X11MM,5M	
CE61	2401-000480	31607-402-250	C-AL	10UF,20%,50V,GP,5X11MM,5M	
CN602B	AA39-20055D		LEAD CONNECTOR-ASSY	-,YBNH025-06,67096-006,6P	
JE60	3722-000143	33339-521-070	JACK-PHONE	1P,3.4MM,-,MBAG	
RE60	2001-001077	31018-377-151	R-CARBON(S)	150OHM,5%,1/2W,AA,TP,2.4X	
RE61	2001-001077	31018-377-151	R-CARBON(S)	150OHM,5%,1/2W,AA,TP,2.4X	
			ASSY-HOLDER,SPK		
	*AA92-80101A		ASSY-HOLDER,SPK	DP,ABS,VO,WP100016R5W,TIL	
HINGE,R	AA61-40050A	33093-0015-000	HINGE-ASSY,R	-,ZUDOBF,-,-,-,3374G	
HINGE,L	AA61-40051A	33093-0016-000	HINGE-ASSY,L	-,ZUDOBF,-,-,-,3374G	
GR1/W,R	AA63-50198A	34003-0096-000	GRILLE-WOOFER,R	-,SECC,-,T0.5,-,-,3374G	
GR1/W,L	AA63-50199A	34003-0097-000	GRILLE-WOOFER,L	-,SECC,-,T0.5,-,-,3374G	
BADGE	AA64-70002A	34533-0045-062	BADGE-BRAND	-,AL,-,L59,SIL,R2000 SING	
			ASSY-HOLDER,SPK		
	*AA92-80102A		ASSY-HOLDER,SPK	DP,PP,VO,4R20W,CKD	
BADGE	AA64-70002A	34533-0045-062	BADGE-BRAND	-,AL,-,L59,SIL,R2000 SING	
			ASSY-CABINET		
	*AA92-30155A		ASSY-CABINET,FRONT	GXE1395/UCX	
PC+CF	6002-000507	37148-530-121	SCREW-TAPPING	RH,+2,M3,L12,ZPC(YEL),SW	
CB+2RF	6002-000514	37148-540-153	SCREW-TAPPING	RH,+2,M4,L15,ZPC(BLK),SW	
CB+CF	6002-000514	37148-540-153	SCREW-TAPPING	RH,+2,M4,L15,ZPC(BLK),SW	
CB+RCA	6002-000514	37148-540-153	SCREW-TAPPING	RH,+2,M4,L15,ZPC(BLK),SW	
CF+HL	6002-000514	37148-540-153	SCREW-TAPPING	RH,+2,M4,L15,ZPC(BLK),SW	
CF+HR	6002-000514	37148-540-153	SCREW-TAPPING	RH,+2,M4,L15,ZPC(BLK),SW	
LB+CA	6002-000514	37148-540-153	SCREW-TAPPING	RH,+2,M4,L15,ZPC(BLK),SW	
TC+CB	6002-000514	37148-540-153	SCREW-TAPPING	RH,+2,M4,L15,ZPC(BLK),SW	
PH+CF	AA60-10002A	37144-001-210	SCREW-TAPPING	-,RH,+M4,L12,ZPC(YEL) OD	
CRT+CF	AA60-10017A	37124-100-830	SCREW-ASSY	-,WC,RH,+M5,L35,SWRCH18A	
CABBAC	AA63-60002F	36844-115-130	SPACER-FELT	-,FELT,T0.35,-,330X15,-	
BACK/C	AA64-30916A		CABINET-BACK	DP,VO,-,-,-,AA64-30701A	
IN-BACK	AA64-60357A		INLAY-BACK	-,PS SHEET,T0.3,-,BLK,-,3	
C/CORD	AA65-30008A	36633-101-610	CLAMP-CORD	-,PE,HB,BLK,-,-	
CLMP/W	AA65-30010A	36634-111-010	CLAMP-WIRE	-,NYLON-66,VO,NTR,-,-	
CLMP,D	AA65-30016A	36635-001-910	CLAMP-D,COIL	-,NYLON,VO,NTR,DADH-360 1	
BS+CF	6002-000514	37148-540-153	SCREW-TAPPING	RH,+2,M4,L15,ZPC(BLK),SW	
STAND/B	AA61-10362A		BRACKET-STAND	-,SECC,-,T1.6,BLK,-,3374G	
STOPPCB	AA61-40053A	33383-0004-000	STOPPER-PCB	-,HIPS,HB,-,WHT,ALL MODEL	
SPRG-CS	AA61-60003U	36674-142-920	SPRING-CS	-,SUS304,0.4,OD5.5,H12,	
SPACER	AA63-60104A		SPACER-COVER	-,PVC SHEET,T0.8,BLK,-,33	
KNOPOW	AA64-10363A	34083-0242-000	KNOB-POWER	-,ABS,HB,BLK,-,3374G	
KNOMENU	AA64-10364A	34083-0244-000	KNOB-MENU	-,ABS,HB,BLK,-,3374G	
KNOCON	AA64-10616A		KNOB-CONTROL	DP,-,-,-,AA64-10361A,3374	
FRONT/C	AA64-30917A		CABINET-FRONT	DP,HIPS,VO,-,-,BLK,WP1000	
WIN/RE	AA64-40253A	34073-0108-000	WINDOW-REMOCON	-,ABS,HB,-,-,3374G,-	
LEG/B	AA64-80020A	33003-0013-000	LEG-BOTTOM	-,HIPS,VO,-,BLK,-,3374G	

Loc No	New Code No	Old Code No	Description	Specification	Remarks
			COVER-TOP,ASSY		
	*AA63-30154A		COVER-TOP,ASSY	DP,-,-,-,-,AA63-30105A,	
GRI/W	AA63-50200A	34003-0119-000	GRILLE-WOOFER,T	-,SECC,-,T0.5,-,PA110,337	
TOP/C	AA64-30698A	32001-0249-000	CABINET-TOP	-,HIPS,V0,-,BLK,-,3374G,-	
			ASSY-STAND		
	*AA91-70055A		ASSY-STAND	DP,-,AA91-70054A,3374G	

# MEMO

## 8. Block Diagram

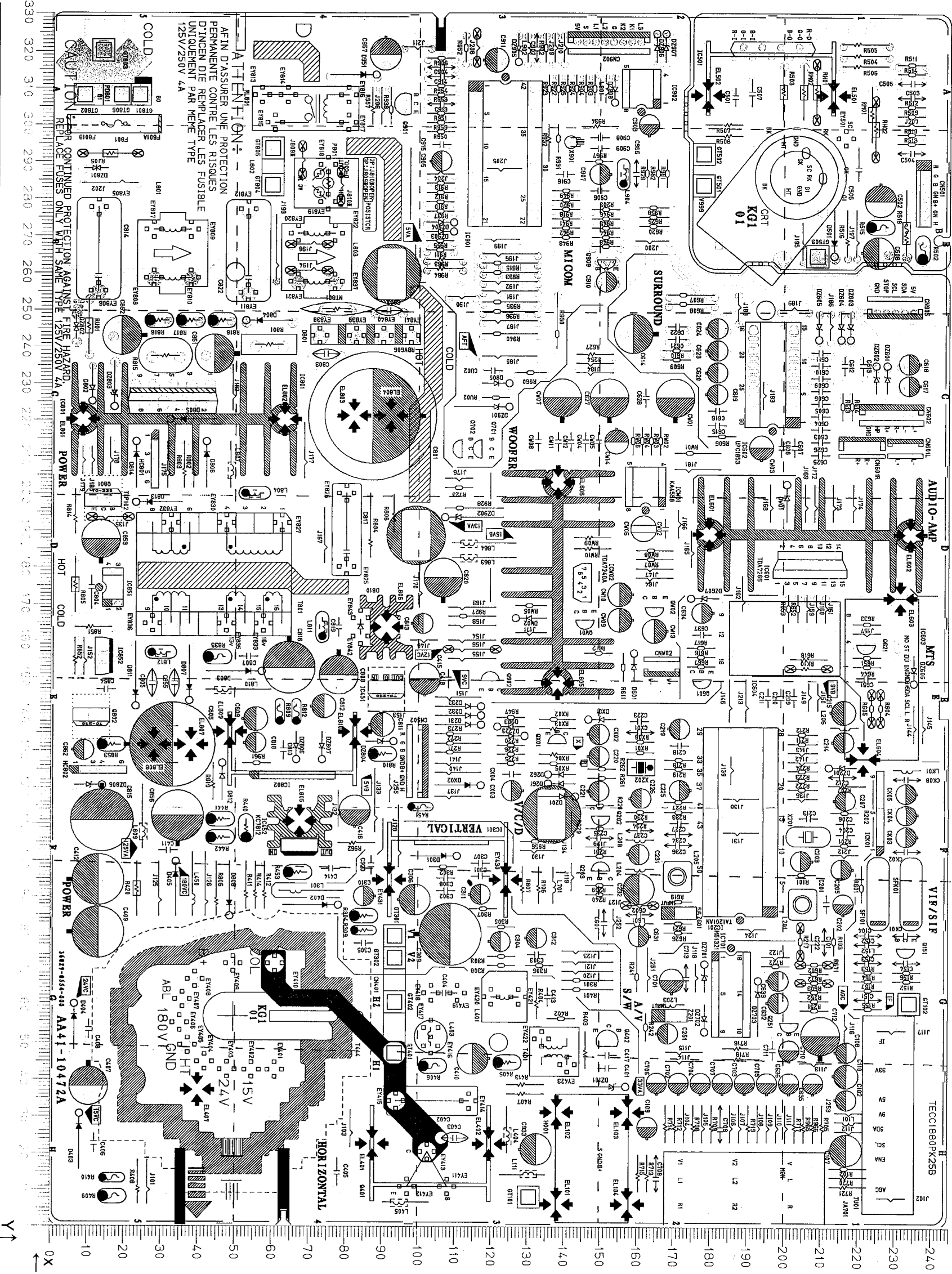
### 8-1 Chassis Block-Diagram



# MEMO

# 9. PCB Layout

T-MARKING  
LAYER:11

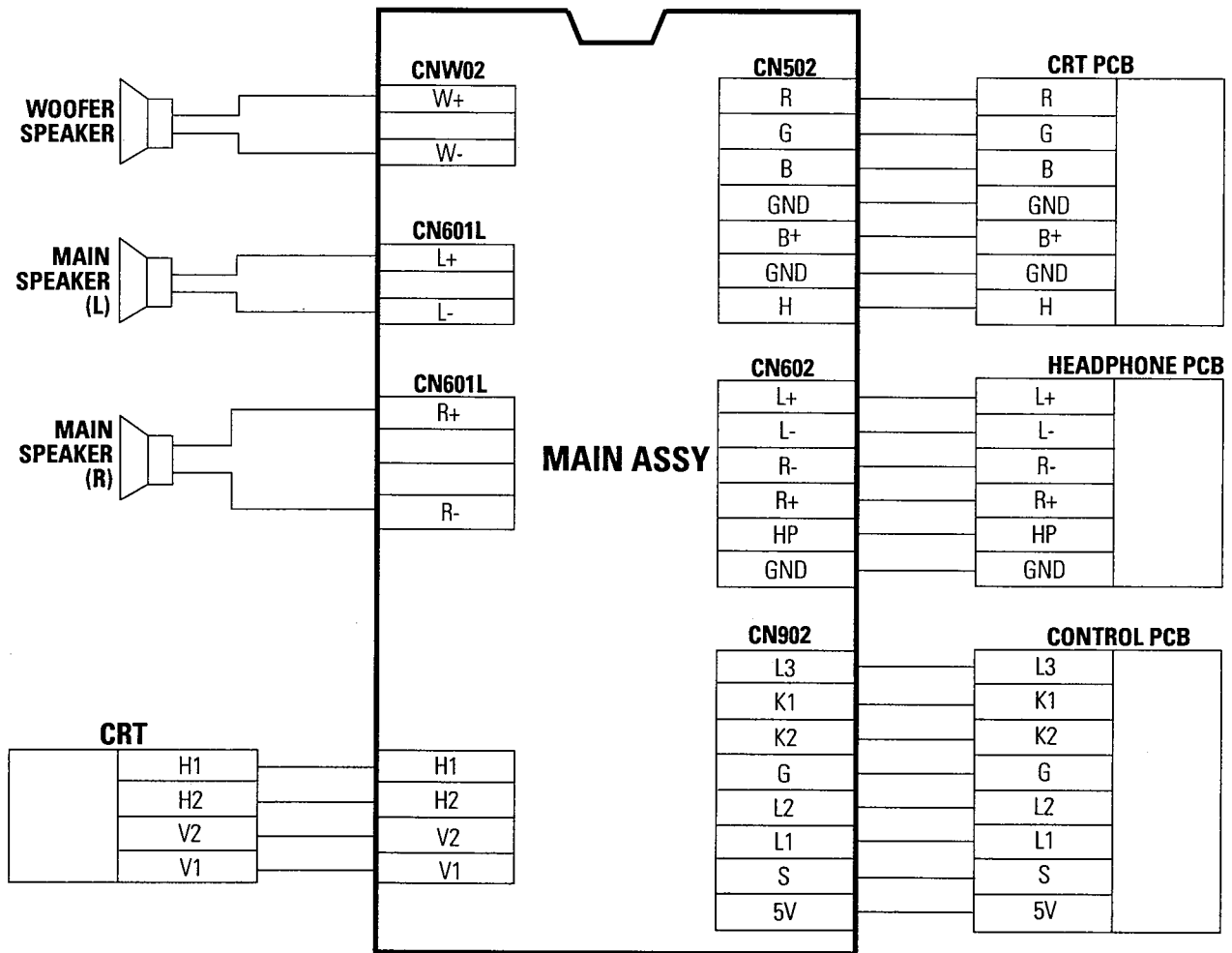


LOC NO	X	Y	LOC NO	X	Y
<b>DIODE</b>					
D201	117	143	D2905	317	127
D201	117	143	D2906	324	165
D231	137	117	D2907	324	167
D232	139	117	D2908	306	153
D233	142	117			
<b>I.C</b>					
D261	121	136	IC201	86	180
D262	123	136	IC301	94	92
D301	101	111	IC451	146	89
D402	87	78	IC452	110	68
D403	30	8	IC501	308	179
D404	60	7	IC601	189	234
D405	99	34	IC602	220	191
D501	264	213	IC603	138	231
D601	156	159	IC604	154	215
D801	243	98	IC701	73	190
D802	225	11	IC801	220	9
D803	161	57	IC802	135	83
D804	247	53	IC851	178	16
D805	220	32	IC852	153	14
D806	214	42	IC901	310	131
D807	143	38	IC902	306	156
D808	84	49	IC901	103	226
D810	163	91	IC901	198	158
D811	142	23	IC902	203	138
D812	126	47			
D813	197	23			
D814	214	22			
D903	136	122			
D905	230	125			
D951	313	88			
<b>TRANSISTOR</b>					
DM01	202	201	Q402	50	155
DM02	166	127	Q601	149	175
DX01	138	147	Q821	159	220
DX02	120	117	Q701	214	117
DZ101	38	157	Q702	214	112
DZ201	135	212	Q801	198	17
DZ223	124	129	Q802	139	9
DZ601	235	228	Q901	308	96
DZ602	235	225	Q902	149	122
DZ603	242	218	Q909	263	149
DZ604	242	215	Q901	165	143
DZ605	242	209	Q902	169	162
DZ606	148	235	QX01	132	141
DZ607	171	175			
<b>OTHER</b>					
DZ701	71	179	T401	51	134
DZ702	53	179	T444	57	50
DZ703	67	193	T801	164	63
DZ801	288	8	TU01	10	230
DZ802	241	7	V999	285	203
DZ803	223	17	F801	300	7
DZ804	132	93	F801A	300	27
DZ805	120	14	F801B	300	7
DZ806	127	67	H001	18	148
DZ807	127	74	HC801	215	28
DZ901	223	125	HC802	124	7
DZ902	193	107	P801	289	75
DZ903	271	109	PD801	308	9
DZ904	273	109			





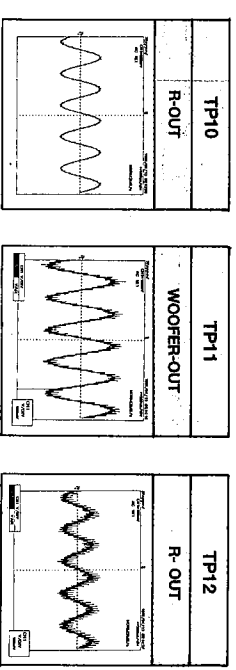
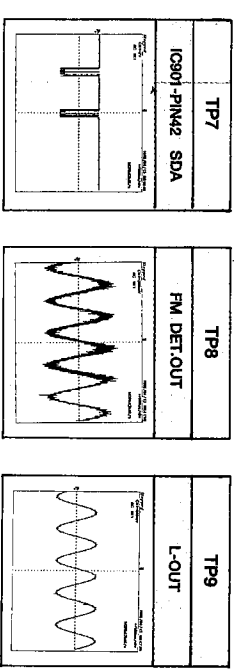
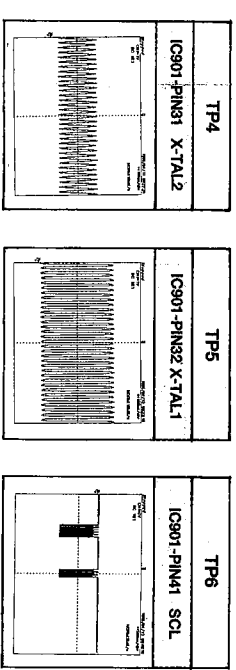
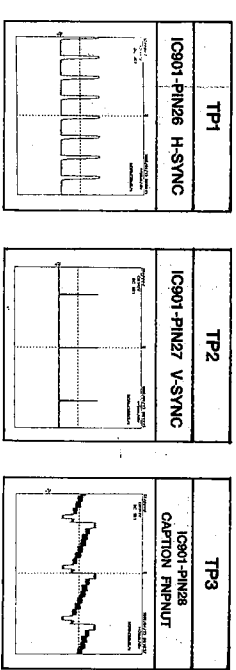
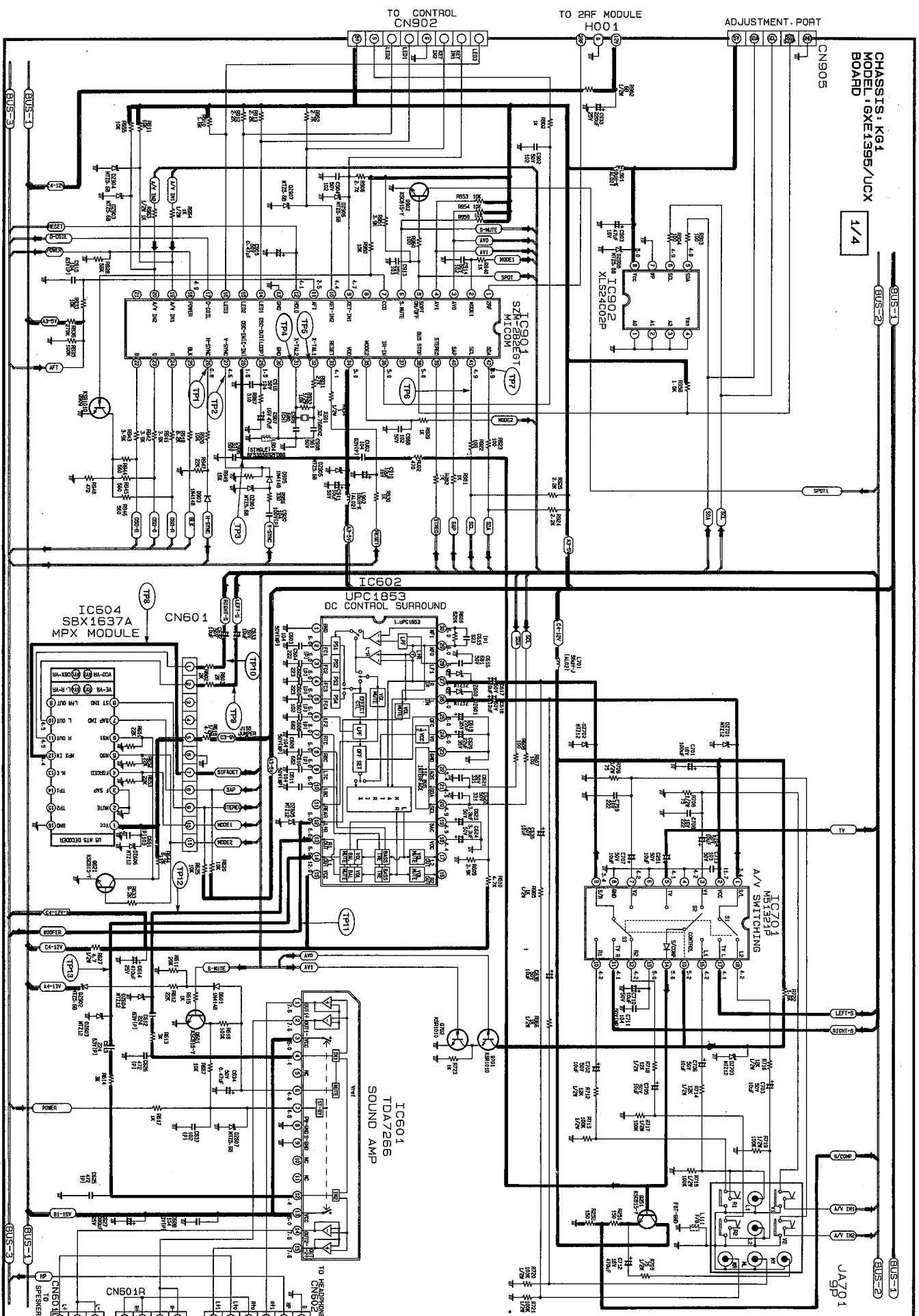
# 10. Wiring Diagram



# MEMO

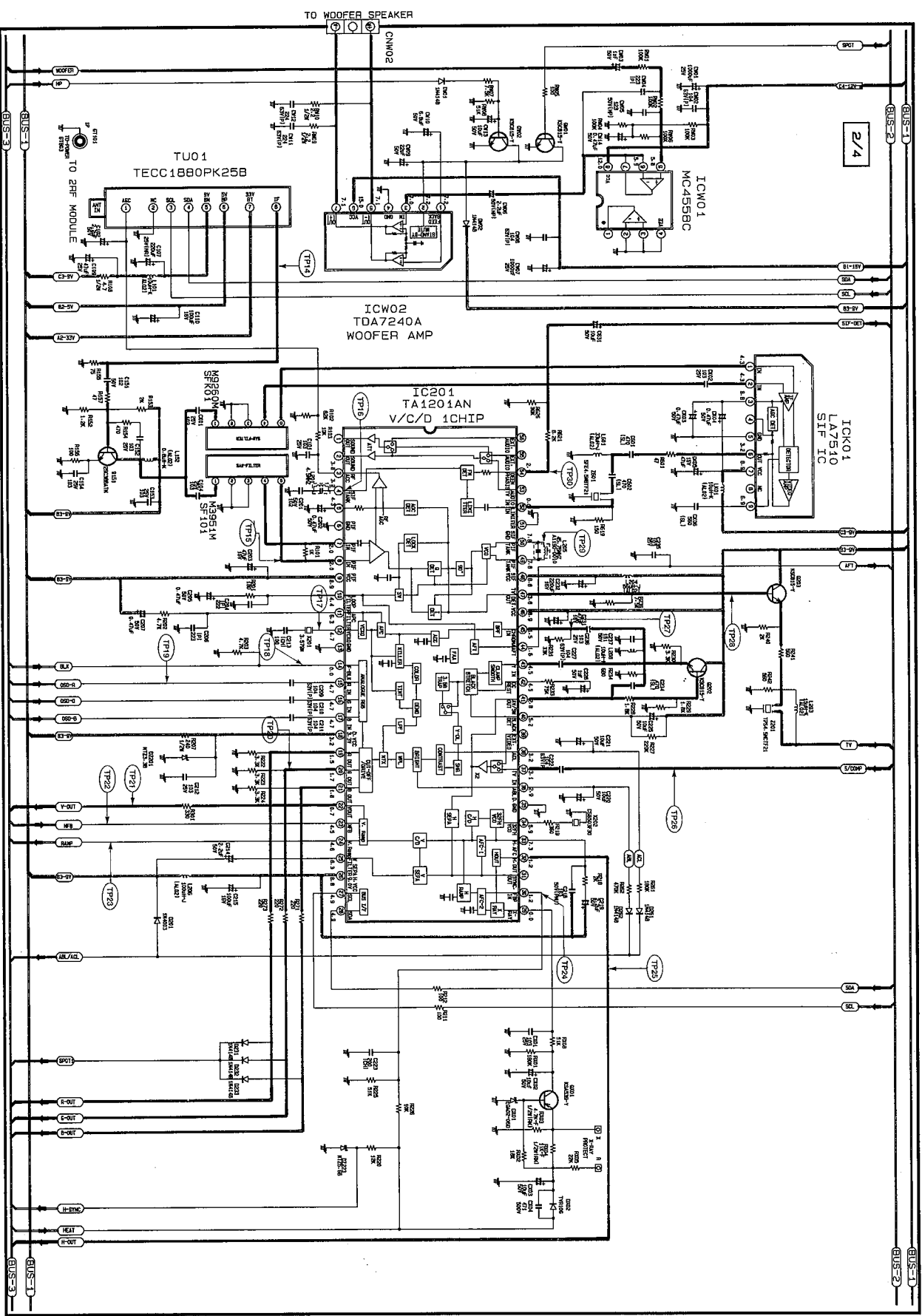
# 11. Schematic Diagrams

## 11-1. M-COM SOUND



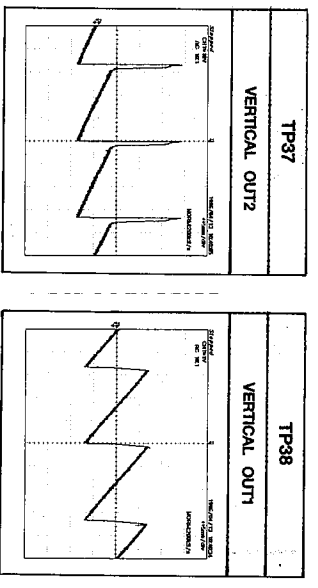
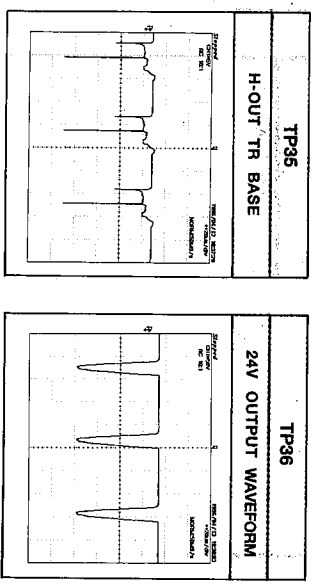
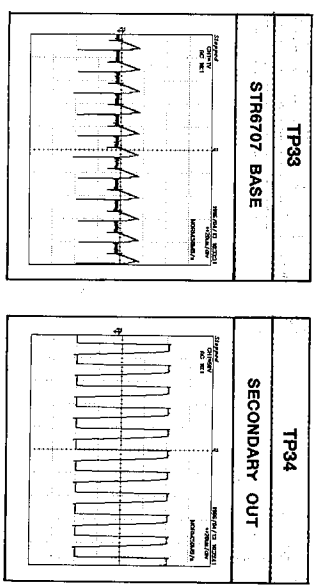
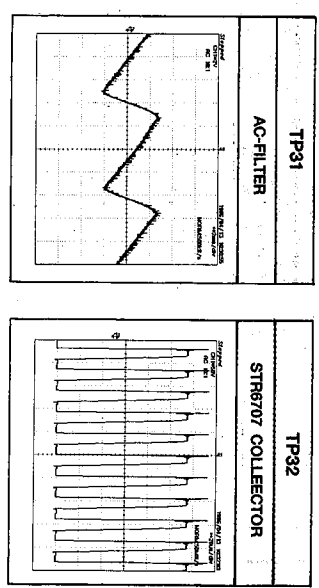
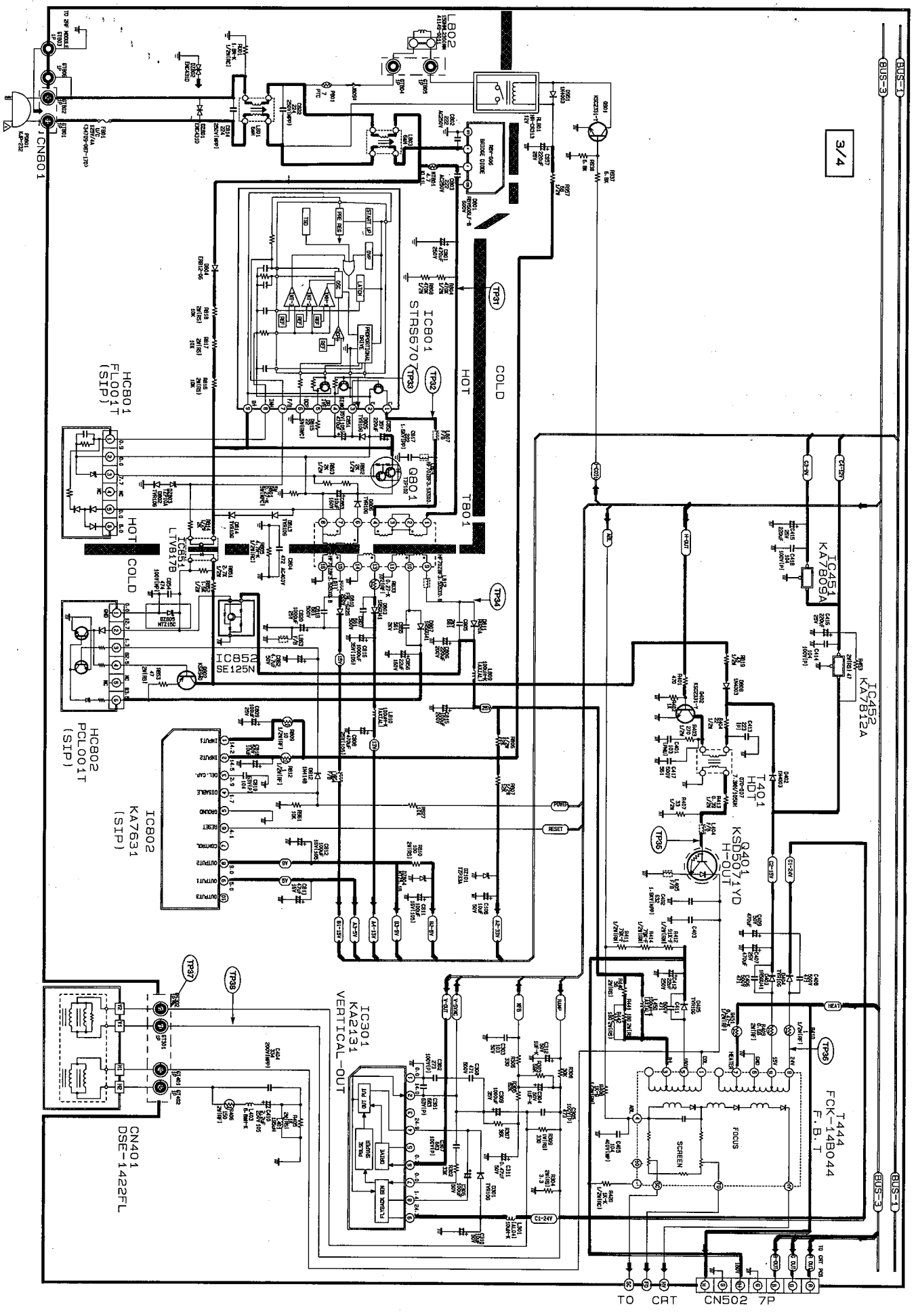
Power Line

Signal Line

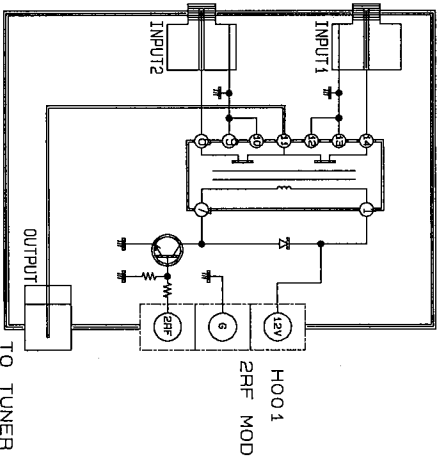
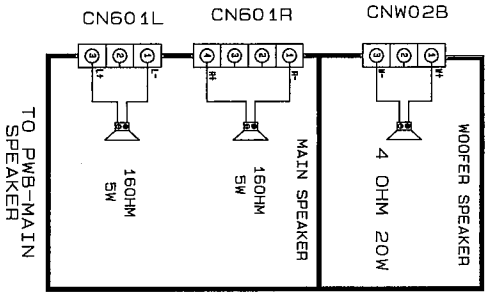
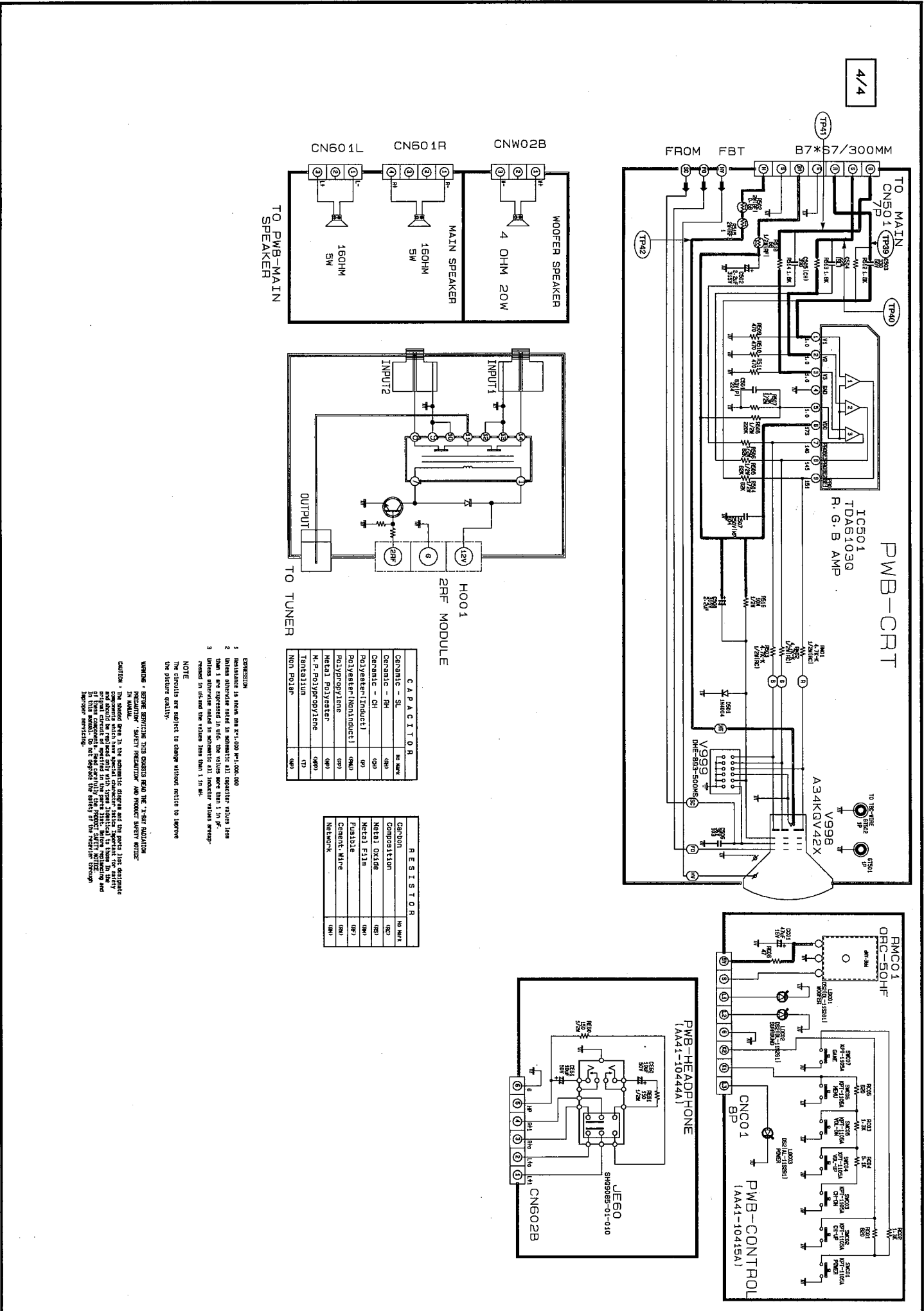


—: Power Line  
 - - - : Signal Line

<p>TP14 TUNER IF OUT</p>	<p>TP15 PIN8 PIF INPUT</p>	<p>TP16 PIN4 SIF TANK COIL</p>
<p>TP17 PIN12 VCXO</p>	<p>TP18 PIN14 FAST-BLANKING</p>	<p>TP19 PIN5 OSD-R INPUT</p>
<p>TP20 PIN20 G-OUT</p>	<p>TP21 PIN22 V-OUT</p>	<p>TP22 PIN23 NFB</p>
<p>TP23 PIN24 V-RAMP</p>	<p>TP24 PIN30 FBP INPUT</p>	<p>TP25 PIN32 H-OUT</p>
<p>TP26 PIN37 COMPOSITE INPUT</p>	<p>TP27 PIN45 CHROMA INPUT</p>	<p>TP28 PIN47 COMPOSITE DETOUT</p>
<p>TP29 PIN50 PIF TANK COIL</p>	<p>TP30 PIN54 FM DETOUT</p>	



——: Power Line  
 - - - - -: Signal Line



**CAPACITOR**

Ceramic - SL	MLK
Ceramic - RI	(9H)
Ceramic - CH	(9H)
Polyester(Induct)	(9H)
Polyester(NonInduct)	(9H)
Polypropylene	(9P)
Metal Polyester	(9P)
K-F Polyester	(9P)
Tantalum	(1P)
Non Polar	(9P)

**RESISTOR**

Carbon	MLK
Composition	(9C)
Metal Oxide	(9D)
Metal Film	(9D)
Fusible	(9D)
Carbon-Mixe	(9D)
Wirewark	(9D)

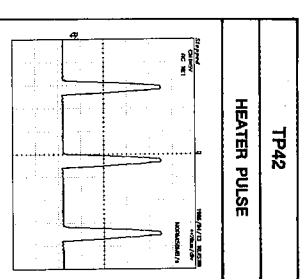
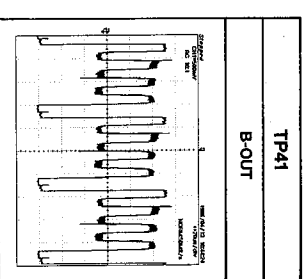
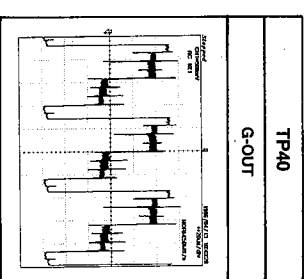
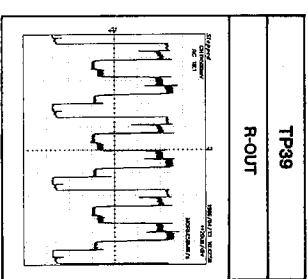
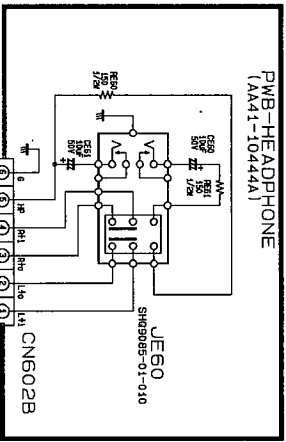
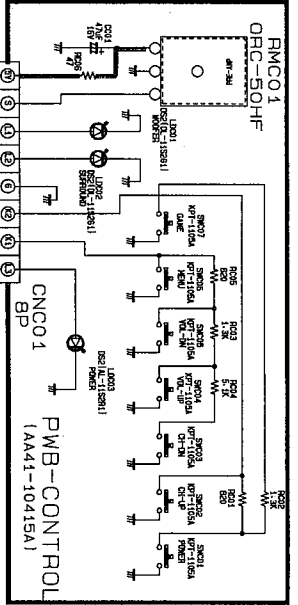
**EXPRESSION**

1. Resistor is shown as R1-K1-000 R1-K1-000-000
2. Values otherwise noted in electronic all capacitor values less than 1 are expressed in pF, the values more than 1 in  $\mu$ F.
3. Values otherwise noted in electronic all inductor values except  $\mu$ H are in mH and the values less than 1 in mH.

**NOTE**  
The circuits are subject to change without notice to improve the product quality.

**WARNING** BEFORE SERVICING THIS CIRCUIT READ THE X-RAY WARNING IN MANUAL. SAFETY PRECAUTIONS AND PRODUCT SAFETY NOTICE.

**CAUTION** The solder area in the electronic circuit and the parts just desoldered should be protected with tape immediately to avoid the oxidation of these components. Read carefully the correct safety warning in the manual. Do not depend the safety of the system through the repair operation.



——: Power Line  
 ———: Signal Line